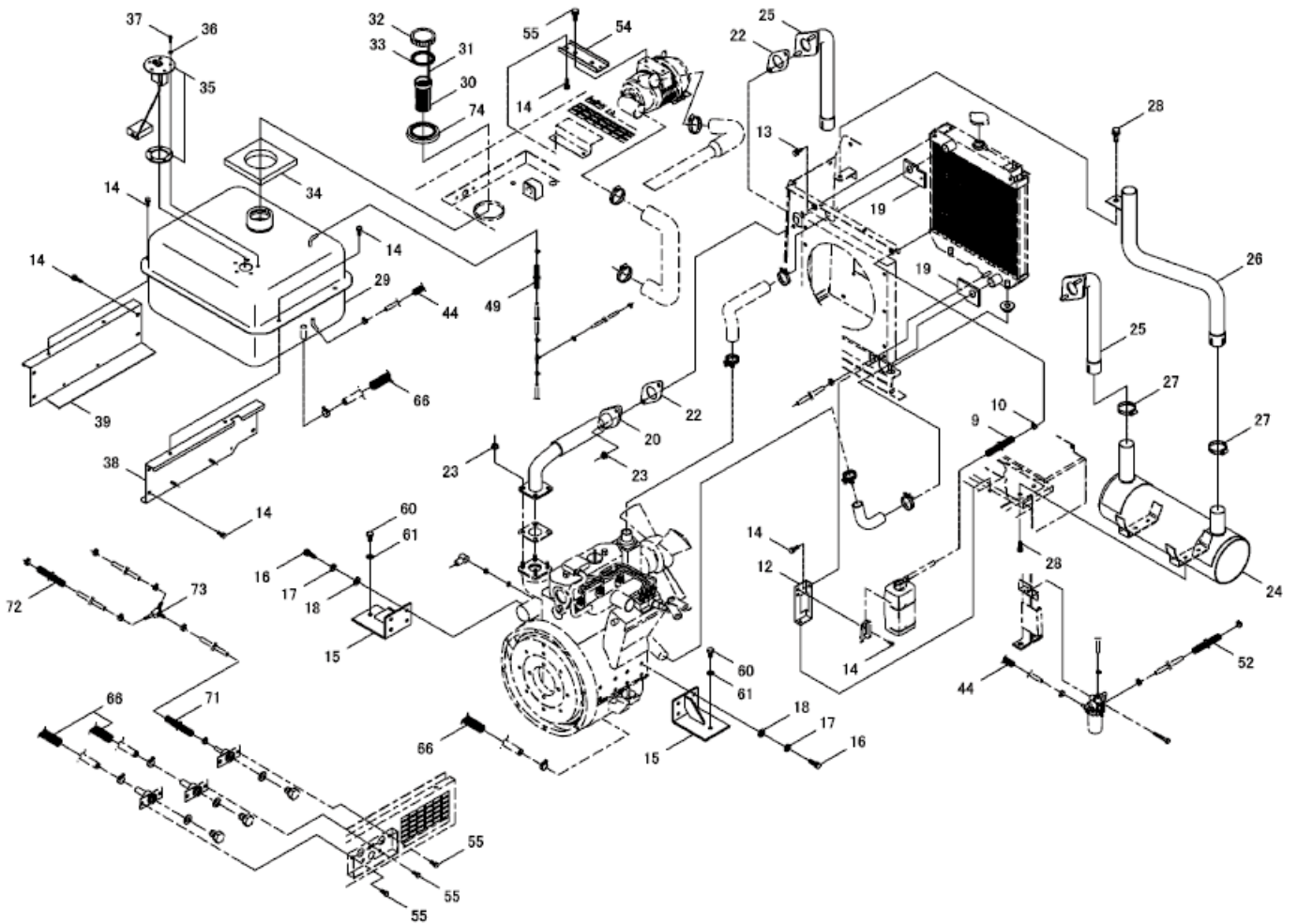


shindaiwa

PARTS CATALOGUE

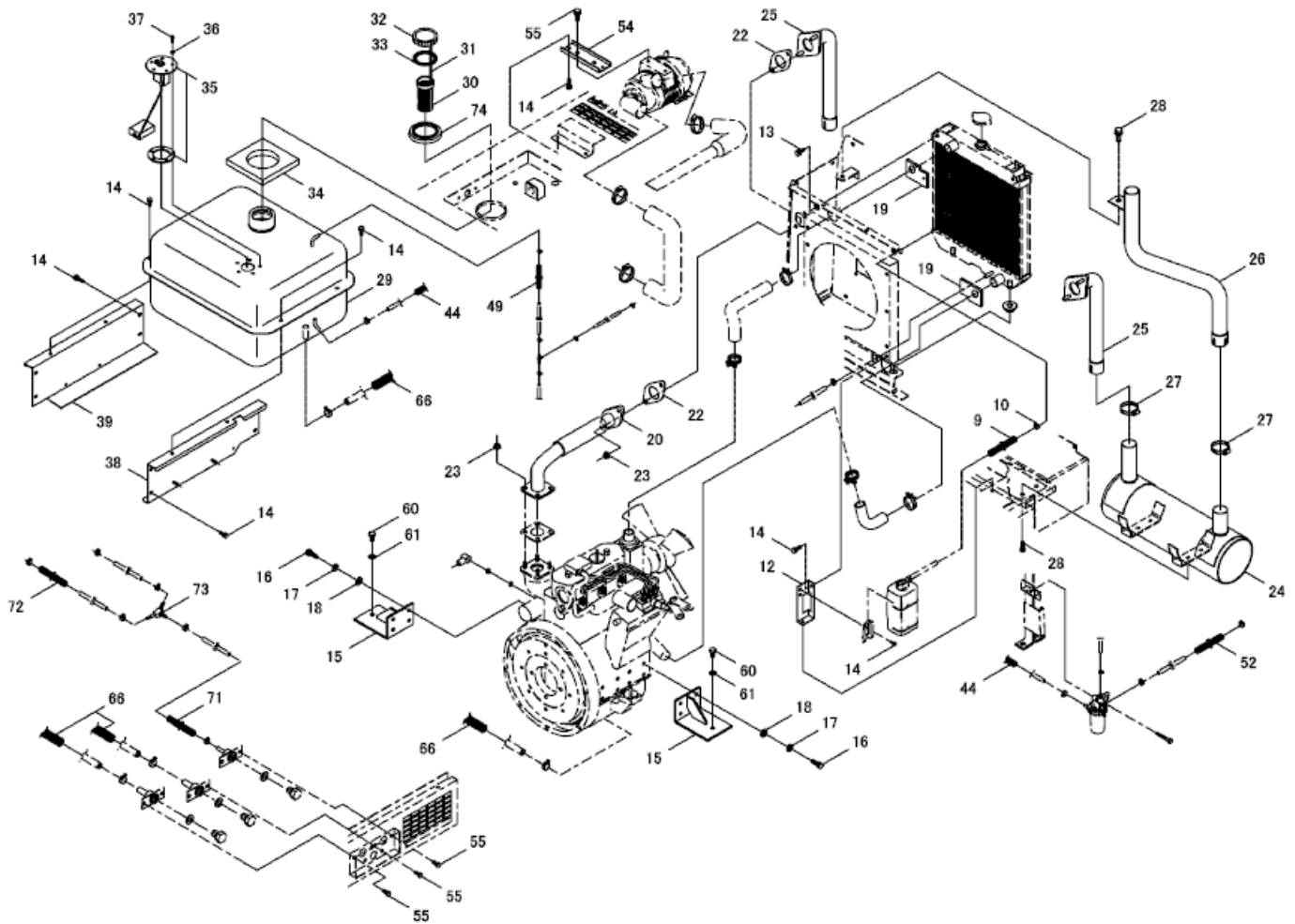
DGW310MC-220

DGW310MC-220 1



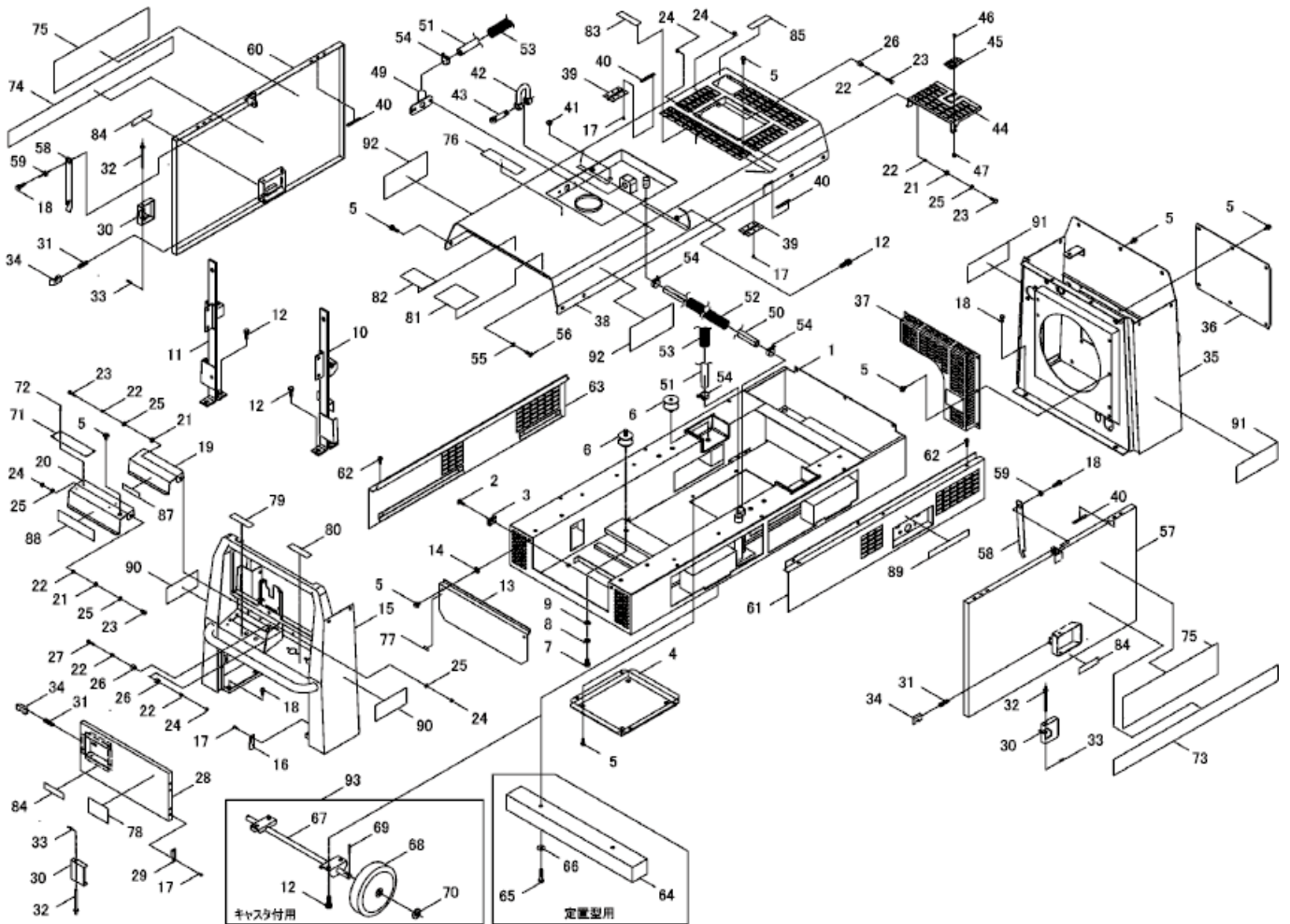
KEY	LV	PART NUMBER	Q'TY	DESCRIPTION	REMARKS
12		20970-11340	1	STAY	
13		01017-06200	2	BOLT SW	
14		11041-06168	18	BOLT FT SW	
15		20970-11350	2	ENGINE STAY	
16		21976-51210	8	BOLT	
17		01600-10251	8	SPRING WASHER	
18		01611-10200	8	WASHER	
19		21945-11090	2	SPONGE	
20		20970-12310	1	FLEXIBLE TUBE	
22		21962-13130	2	GASKET	
23		11526-08112	6	FLANGE NUT	
24		20970-13311	1	MUFFLER	
25		20970-13320	1	INLET PIPE	
26		20970-13331	1	EXHAUST PIPE	
27		20903-13240	2	CLAMP	
28		01013-08200	5	BOLT SPW	
29		20970-14321	1	FUEL TANK	
30		21783-14420	1	STRAINER	
31		21783-14430	1	CHAIN	
32		21783-14440	1	TANK CAP	
33	•E	21783-14460	1	PACKING	
34		21740-24050	1	SHEET	
35		20929-14050	1	FUEL GAUGE	

DGW310MC-220 1



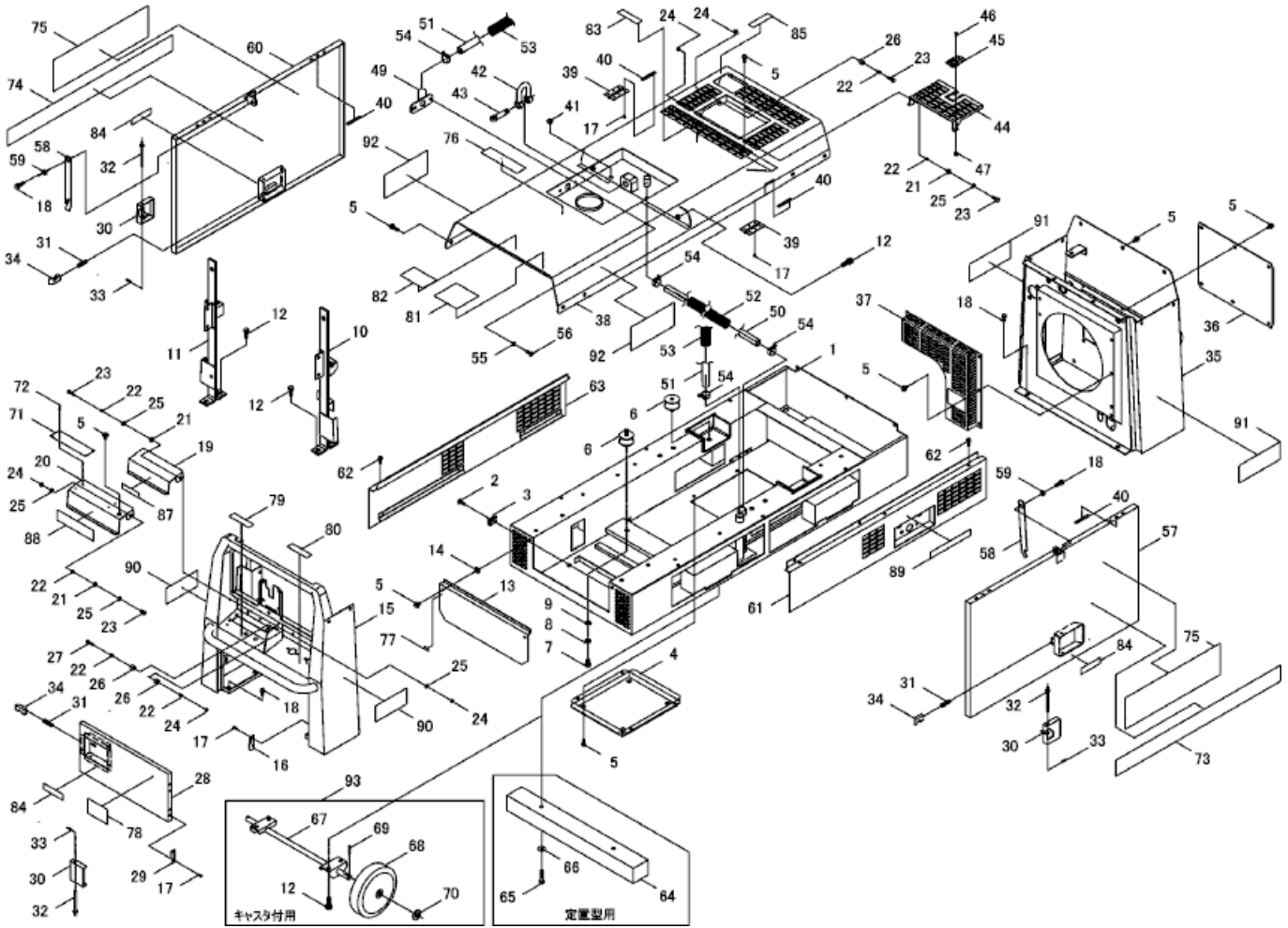
KEY	LV	PART NUMBER	Q'TY	DESCRIPTION	REMARKS
36		20929-14070	5	SEAL WASHER	
37		01215-05128	5	SCREW TRUSS	
38		20970-14330	1	TANK STAY RIGHT	
39		20970-14340	1	TANK STAY LEFT	
44		20786-15460	1	TUBE	
49		20950-15350	1	TUBE	
52		20923-22450	1	TUBE	
54		20970-16320	1	CLEANER STAY	
55		01011-08160	8	BOLT SW	
60		01000-12221	2	BOLT	
61		01600-12301	2	SPRING WASHER	
66		20930-22020	2	TUBE	
71		20930-15060	1	TUBE	
72		20950-22320	1	TUBE	
73		21006-22050	1	JOINT	
74		21940-14170	1	TANK BUSH	

DGW310MC-220 2



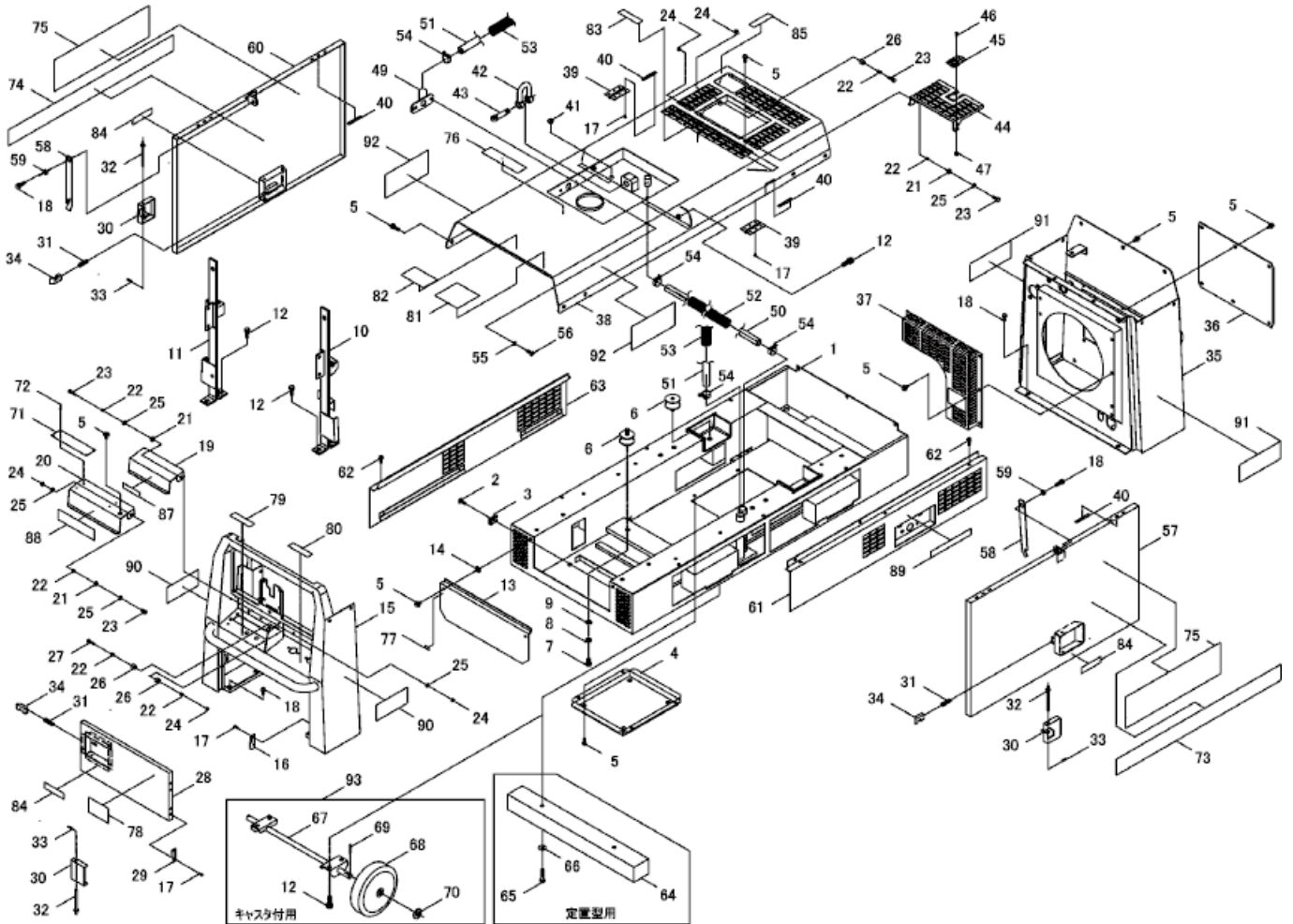
KEY	LV	PART NUMBER	Q'TY	DESCRIPTION	REMARKS
1		20970-21311	1	BED	
2		01210-06120	1	SCREW	
3		21945-21080	1	TIE MOUNT	
4		20970-21370	1	OIL PAN COVER	
5		11041-06168	34	BOLT FT SW	
6		17003-33003	4	AV RUBBER	
7		01000-12221	2	BOLT	
8		01600-12301	2	SPRING WASHER	
9		01611-12250	2	WASHER	
10		20970-21380	1	STAND BAR RIGHT	
11		20970-21390	1	STAND BAR LEFT	
12		01013-10250	14	BOLT SW	
13		20970-21400	1	UNDER PLATE	
14		21440-23490	2	WASHER	
15		71918-23310	1	FRONT COVER	
16	•E	21783-23310	2	HINGE	
17	•E	01201-04100	32	SCREW	
18		01013-08200	8	BOLT SPW	
19		71918-23330	1	TERMINAL COVER,RIGHT	
20		71918-23350	1	TERMINAL COVER,LEFT	
21		21940-22250	4	BUSH RUBBER	
22		17901-06085	8	COLLAR	
23		01017-06250	6	BOLT SW	
24		11526-06112	7	FLANGE NUT	

DGW310MC-220 2



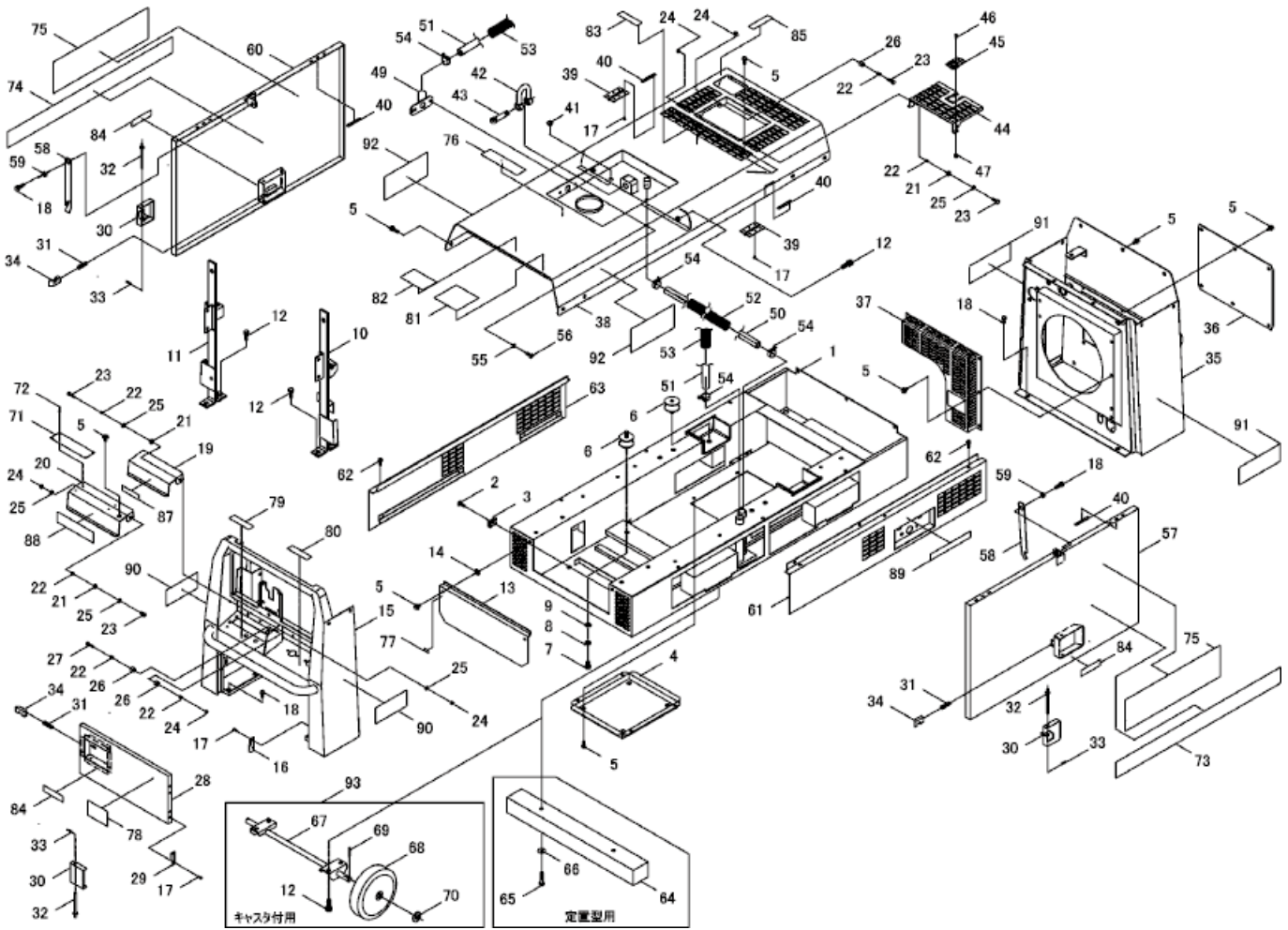
KEY	LV	PART NUMBER	Q'TY	DESCRIPTION	REMARKS
25		01612-00800	6	WASHER	
26		21940-22270	4	RUBBER PIPE	
27		01017-06300	1	BOLT SW	
28		71918-23370	1	FRONT DOOR	
29		21783-26210	2	HINGE	
30		71906-26210	3	DOOR HANDLE	
31		17500-10002	3	COIL SPRING	
32		20925-26301	3	PIN COMP	
33		12400-10050	3	SNAP PIN	
34		20925-26411	3	LATCH	
35		71918-24310	1	REAR COVER	
36		71918-24330	1	REAR PANEL	
37		20970-24400	1	FAN GUARD	
38		71918-25310	1	TOP COVER	
39	•E	21995-25210	4	HINGE	
40	•E	21990-27240	4	TAPPING PLATE	
41	•E	21940-23280	2	CUSHION	
17	•E	01201-04100	12	SCREW	
42		21940-23310	1	SHACKLE	
43		21940-23320	1	SHAFT	
44		71918-25330	1	CHECK PLATE	
45		21610-25210	1	LATCH	
46		01201-03128	4	SCREW	
47		11526-03112	4	FLANGE NUT	

DGW310MC-220 2



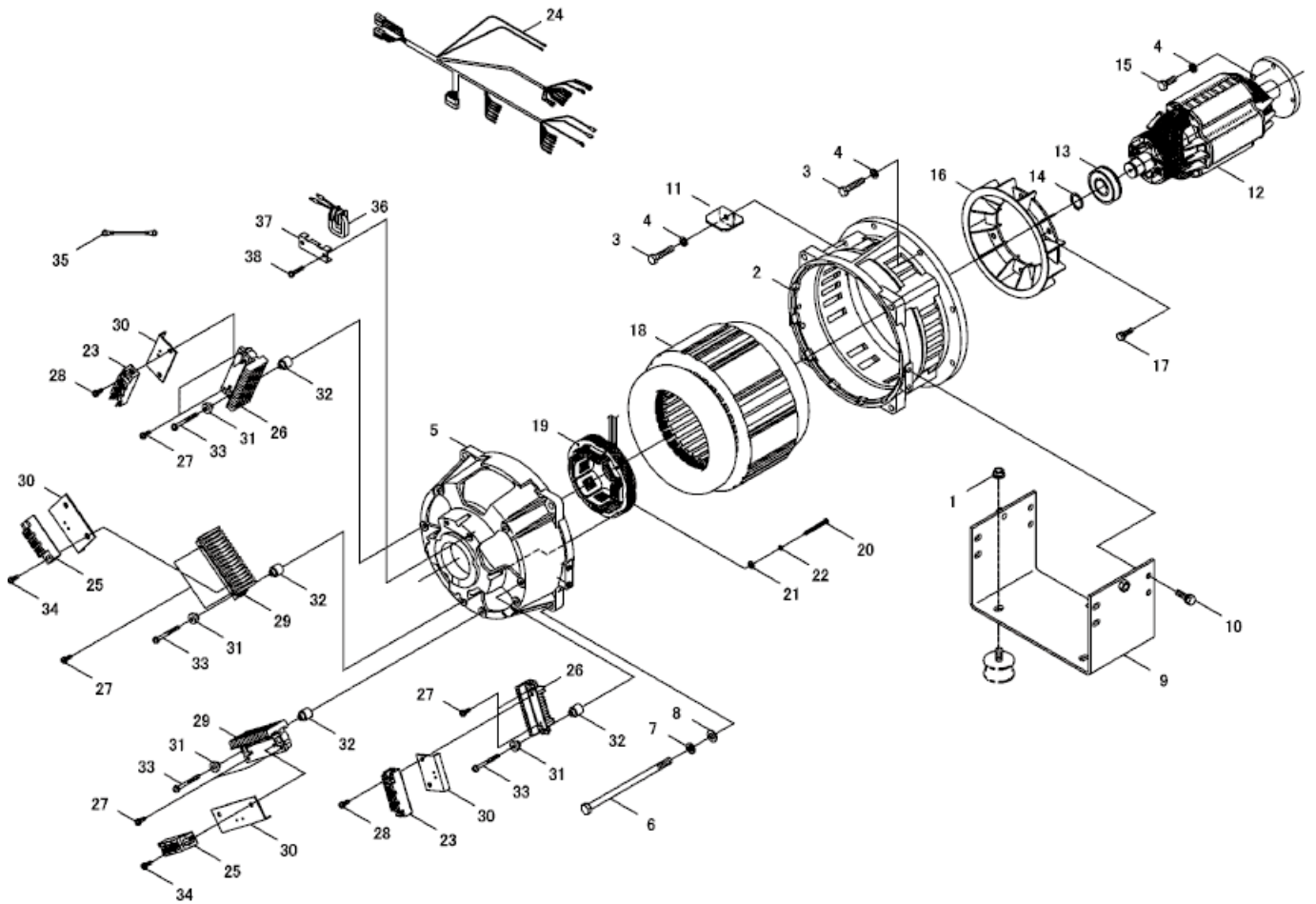
KEY	LV	PART NUMBER	Q'TY	DESCRIPTION	REMARKS
49		71906-25100	1	DRAIN PIPE	
50		20970-25380	1	HOSE	
51		71906-25160	1	HOSE	
52		20970-25360	1	TUBE	
53		71906-25180	1	TUBE	
54		20923-25510	4	HOUSE CLAMP	
55		20929-14070	2	SEAL WASHER	
56		01215-05128	2	SCREW TRUSS	
57		71918-26310	1	SIDE COVER,RIGHT	
58		20970-26340	2	STOPPER ARM	
59		15401-10013	2	COLLAR	
60		71918-26330	1	SIDE COVER,LEFT	
61		20972-27311	1	SIDE PLATE RIGHT	
62		01017-06160	6	BOLT SW	
63		20970-27331	1	SIDE PLATE LEFT	
64		71918-29310	2	BASE	
65		01011-10500	4	BOLT SW	
66		23180-61130	4	SIDE PLATE	
67		20971-29320	2	CASTER SHAFT	
68		16010-87071	4	CASTER	
69		02421-50300	4	PIN	
70		01612-02000	4	WASHER	
71		71918-91310	1	PLATE,NAME	
72		21990-91120	4	BLIND RIVET	

DGW310MC-220 2



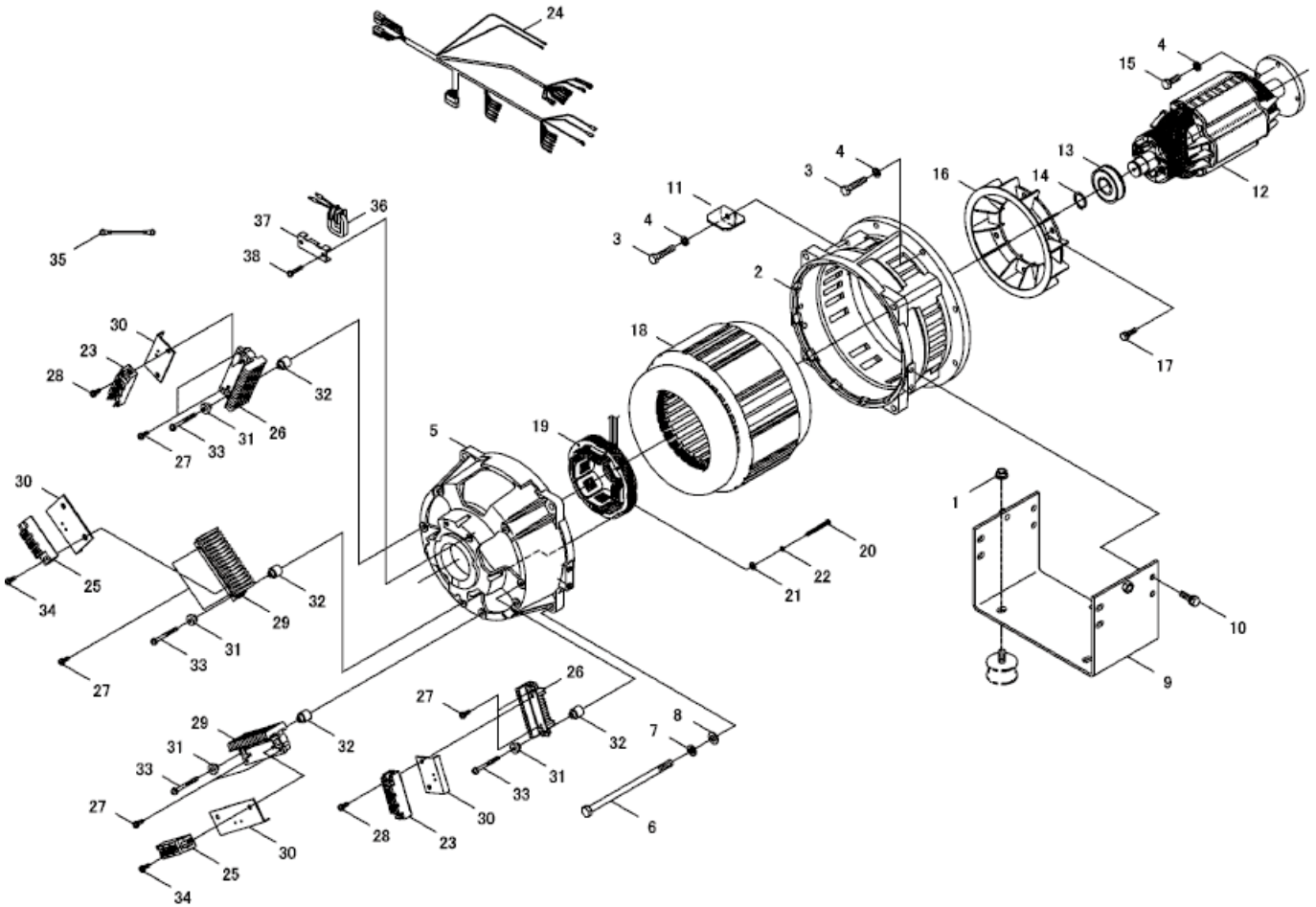
KEY	LV	PART NUMBER	Q'TY	DESCRIPTION	REMARKS
73		20972-91330	1	LABEL TRADE	
74		20972-91340	1	LABEL TRADE	
75		19420-00103	2	LABEL TRADE	
76		19402-00166	1	LABEL CAUTION	
77		19401-00206	1	LABEL INST	
78		19402-00187	1	LABEL CAUTION	
79		19402-00192	1	LABEL CAUTION	
80		19402-00193	1	LABEL CAUTION	
81		19402-00194	1	LABEL CAUTION	
82		19402-00195	1	LABEL CAUTION	
83		19402-00201	1	LABEL CAUTION	
84		19402-00199	3	LABEL CAUTION	
85		19402-00200	1	LABEL CAUTION	
87		19401-00324	1	LABEL INST	
88		19401-00446	1	LABEL,INST	
89		19401-00447	1	LABEL,INST	
90		19407-00069	2	LABEL DESIGN	
91		19407-00070	2	LABEL DESIGN	
92		19406-00087	2	LABEL FEATURE	
93		20971-98370	1	CASTER SET	

DGW310MC-220 3



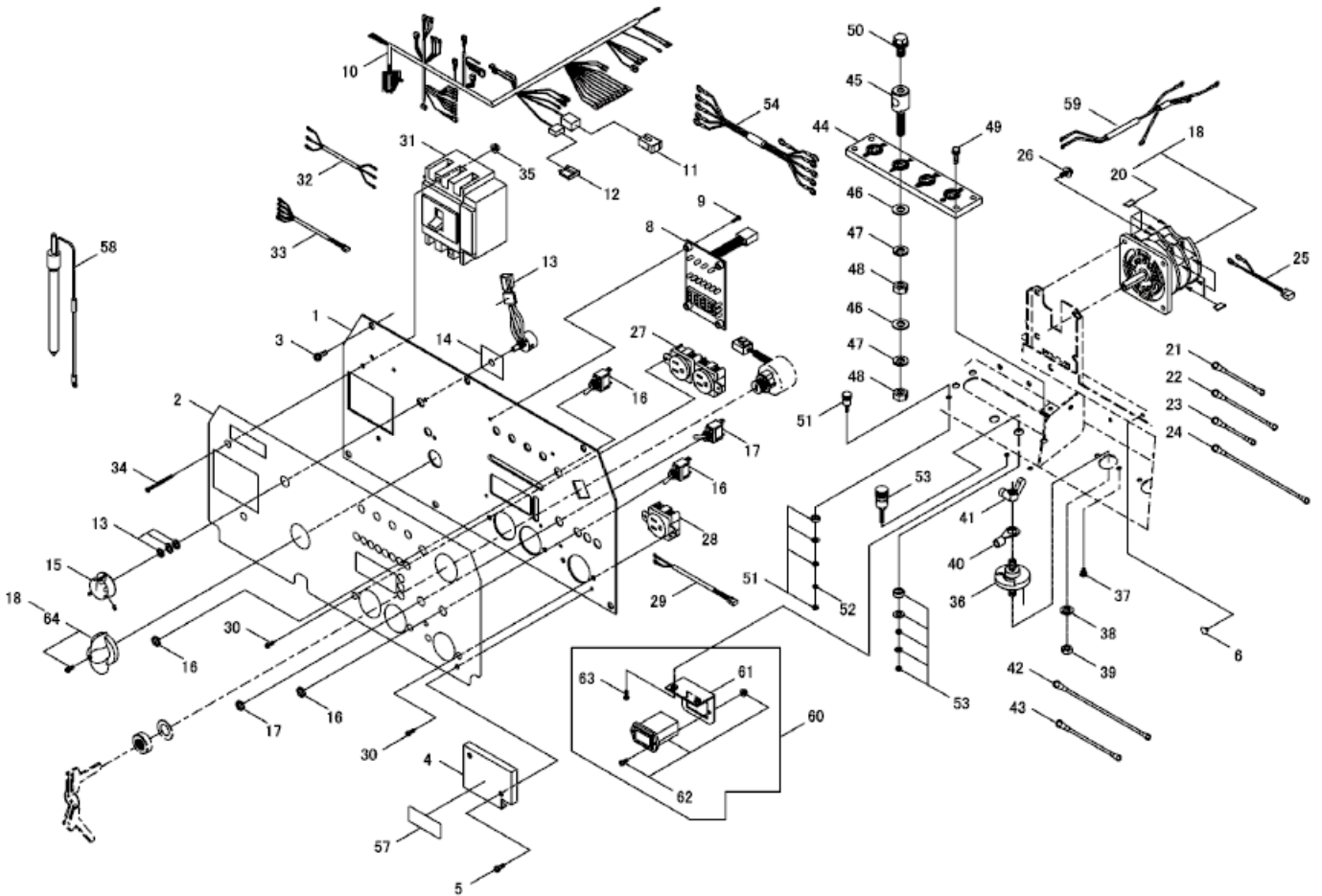
KEY	LV	PART NUMBER	Q'TY	DESCRIPTION	REMARKS
1		11527-12112	2	FLANGE NUT	
2		20929-31011	1	FRONT BRACKET	
3		01002-10254	8	BOLT	
4		01600-10251	12	SPRING WASHER	
5		20930-31012	1	REAR BRACKET	
6		11070-12160	4	BOLT	
7		01600-12301	4	SPRING WASHER	
8		01611-12250	4	WASHER	
9		20950-31340	1	GENERATOR STAY	
10		01013-10300	8	BOLT SPW	
11		20970-31311	1	BAFFLE	
12		20950-51312	1	ROTOR	
13		12900-63070	1	BEARING	
14		02430-34150	1	SNAP RING	
15		01002-10304	4	BOLT	
16		17323-97000	1	FAN	
17		01013-08250	6	BOLT SPW	
18		20970-52311	1	STATOR	
19		20930-52021	1	STATOR	
20		01000-05451	4	BOLT	
21		01612-00500	4	WASHER	
22		01600-05131	4	SPRING WASHER	
23		14636-80004	2	THYRISTOR	
24		20970-71321	1	WIRING HARNESS	

DGW310MC-220 3



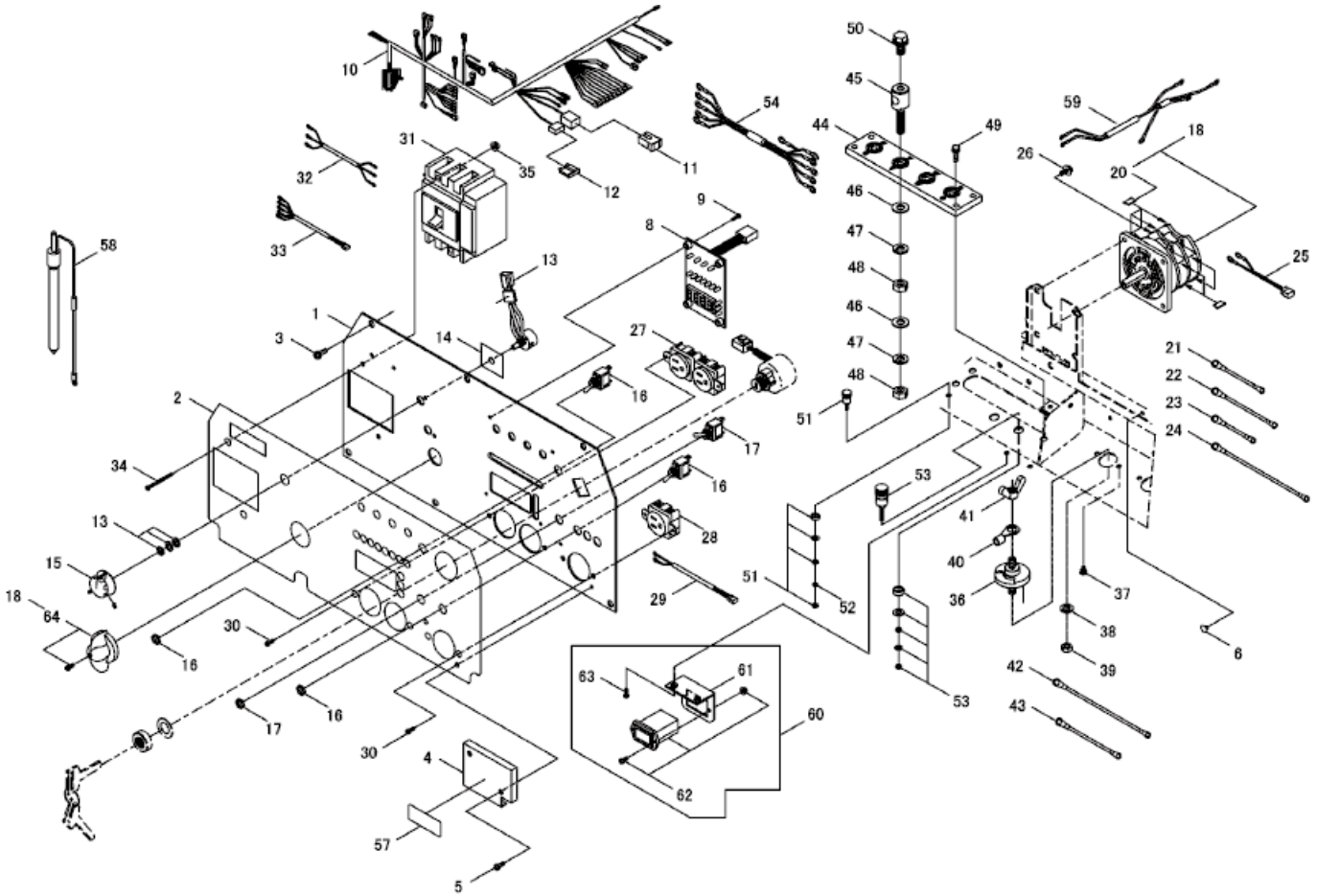
KEY	LV	PART NUMBER	Q'TY	DESCRIPTION	REMARKS
25		14606-10508	2	RECTIFIER	
26		21780-34140	2	STACK FIN	
27		01213-06160	8	SCREW SW	
28		01213-06200	4	SCREW SW	
29		20929-71040	2	STACK FIN	
30		20930-71041	4	STACK FIN	
31		14875-61000	8	INS RING	
32		14875-61002	8	INS RING	
33		01213-06550	8	SCREW SW	
34		01213-05200	4	SCREW SW	
35		14320-61800	6	LEAD WIRE	
36		21995-72100	1	CT COMP	
37		20930-72010	1	CORE PLATE	
38		01211-06250	2	SCREW SW	

DGW310MC-220 4



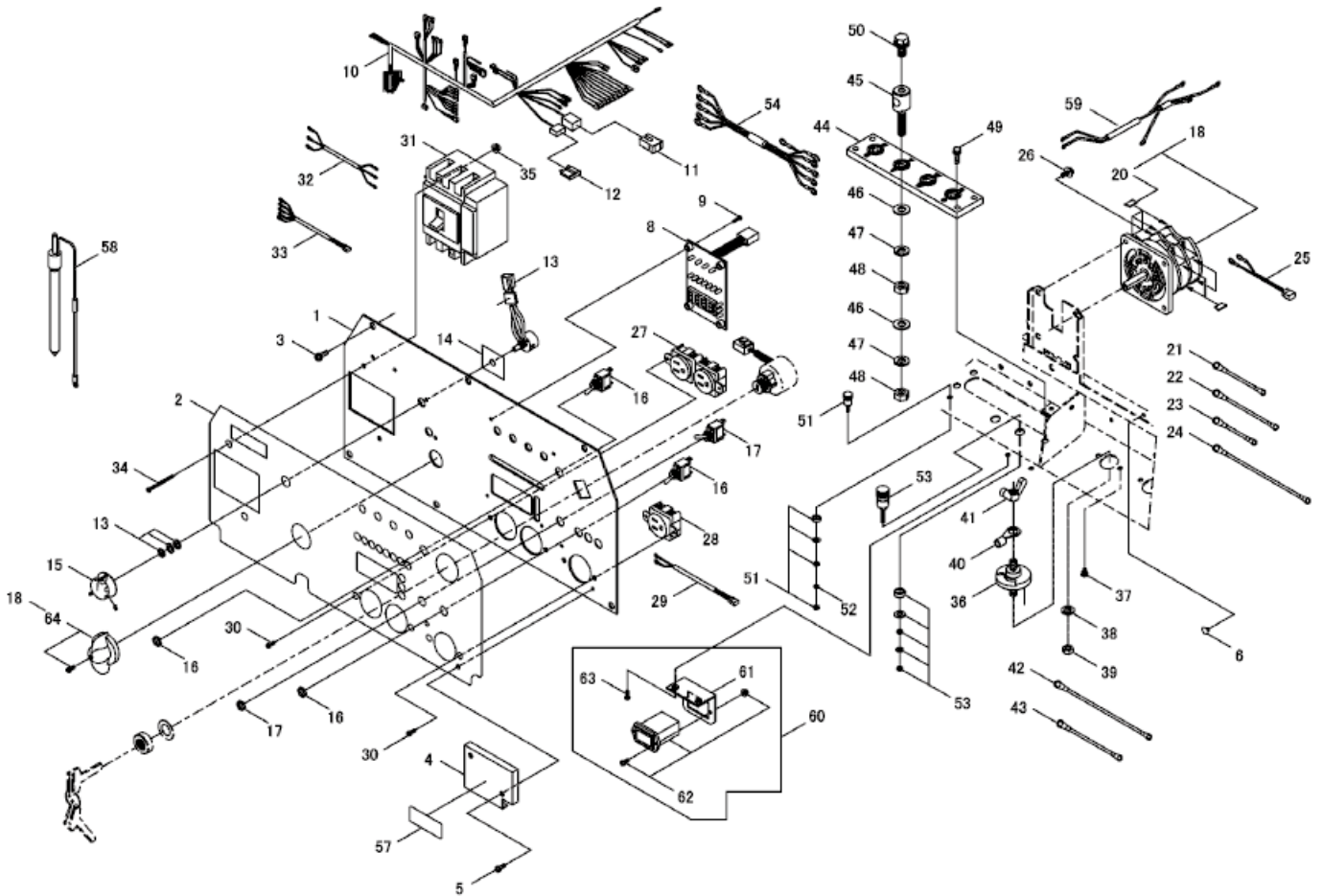
KEY	LV	PART NUMBER	Q'TY	DESCRIPTION	REMARKS
1		20972-23341	1	CONTROL PANEL	
2		71918-23410	1	LABEL,CONTROL	
3		01213-06160	6	SCREW SW	
4		20972-23370	1	PANEL	
5		01213-04160	2	SCREW SPW	
6		27731-21020	4	BAND STOPPER	
8		20970-75330	1	PRINT CIRCUIT	
9		01210-04120	4	SCREW	
10		20970-78311	1	WIRING HARNESS ASSY	
11	•E	05285-10500	1	FUSE	
12	•E	21001-78130	1	FUSE	
13		20929-81010	1	VOLUM COMP	
14		20929-81030	1	INS PAPER	
15		21780-75120	1	DIAL	
16		05260-13100	2	TOGGLE SWITCH	
17		05260-11202	1	TOGGLE SWITCH	
18		20915-82040	1	CAM SWITCH SUB ASSY	
20	•E	20915-82050	8	DUST CAP	
64	•E	20970-98380	1	HANDLE	
21		14320-73900	1	LEAD WIRE	
22		14320-74601	1	LEAD WIRE	
23		14320-73504	1	LEAD WIRE	
24		14320-77001	1	LEAD WIRE	
25		20915-82020	1	WIRING HARNESS	

DGW310MC-220 4



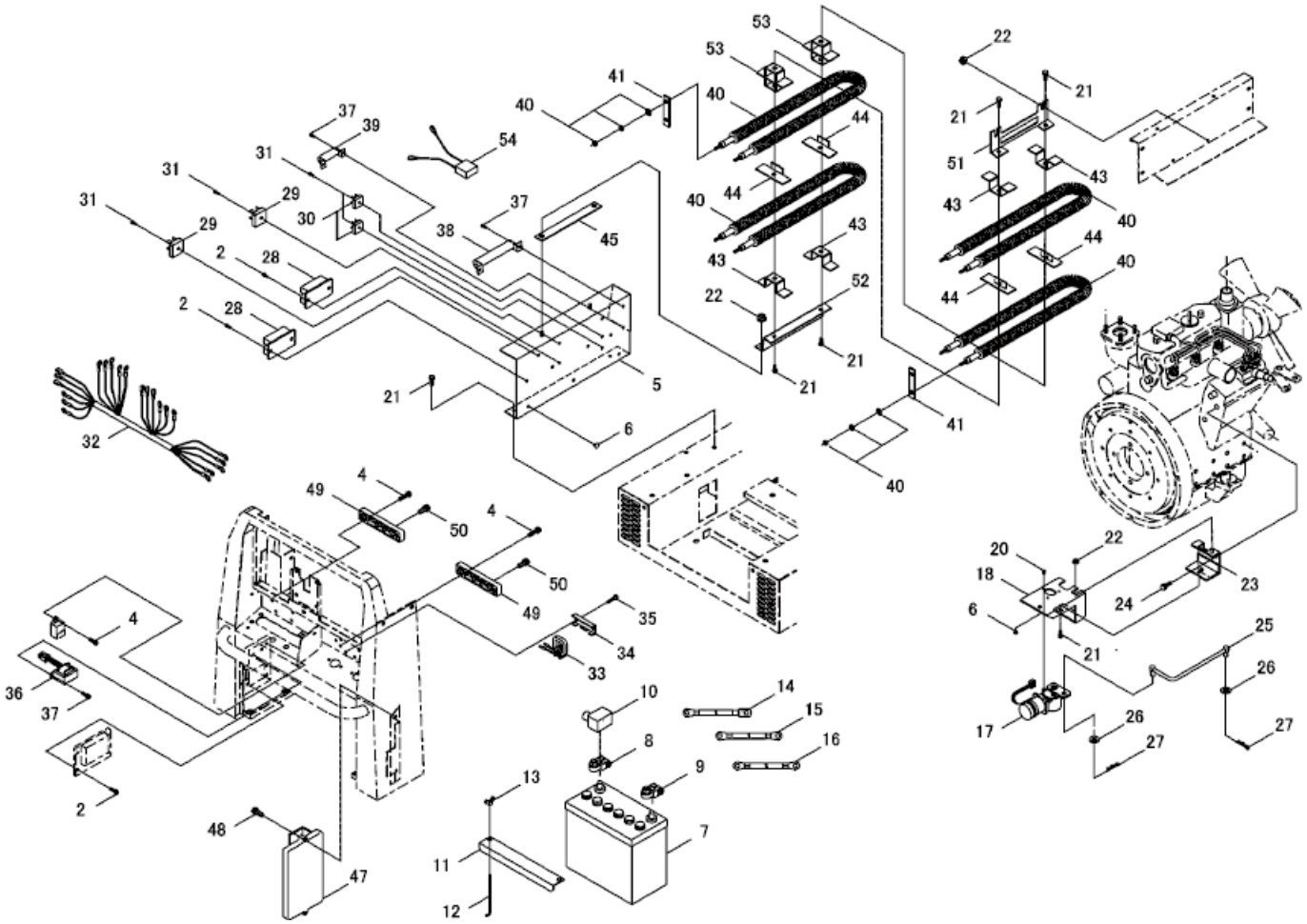
KEY	LV	PART NUMBER	Q'TY	DESCRIPTION	REMARKS
26		11041-06168	4	BOLT FT SW	
27		05201-22113	1	PLUG SOCKET	
28		05201-22111	1	SOCKET	
29		71906-83360	1	WIRING HARNESS	
30		01211-04080	4	SCREW SW	
31		05280-56405	1	BREAKER	
32		20970-84320	1	WIRING HARNESS	
33		20970-84330	1	WIRING HARNESS	
34		01210-04700	2	SCREW	
35		11526-04102	2	FLANGE NUT	
36		15201-00081	2	TERMINAL REST	
37		01015-05080	4	BOLT SW	
38		01600-10256	2	SPRING WASHER	
39		01500-10086	2	NUT	
40		04100-86001	2	TERMINAL	
41		01520-01009	2	WING NUT	
42		14320-76400	1	LEAD WIRE	
43		14320-73200	1	LEAD WIRE	
44		20930-86011	1	PLATE INST	
45		15240-16301	4	TERMINAL POST	
46		01612-00800	8	WASHER	
47		01600-08201	8	SPRING WASHER	
48		01500-08061	8	NUT	
49		01017-06250	4	BOLT SW	

DGW310MC-220 4

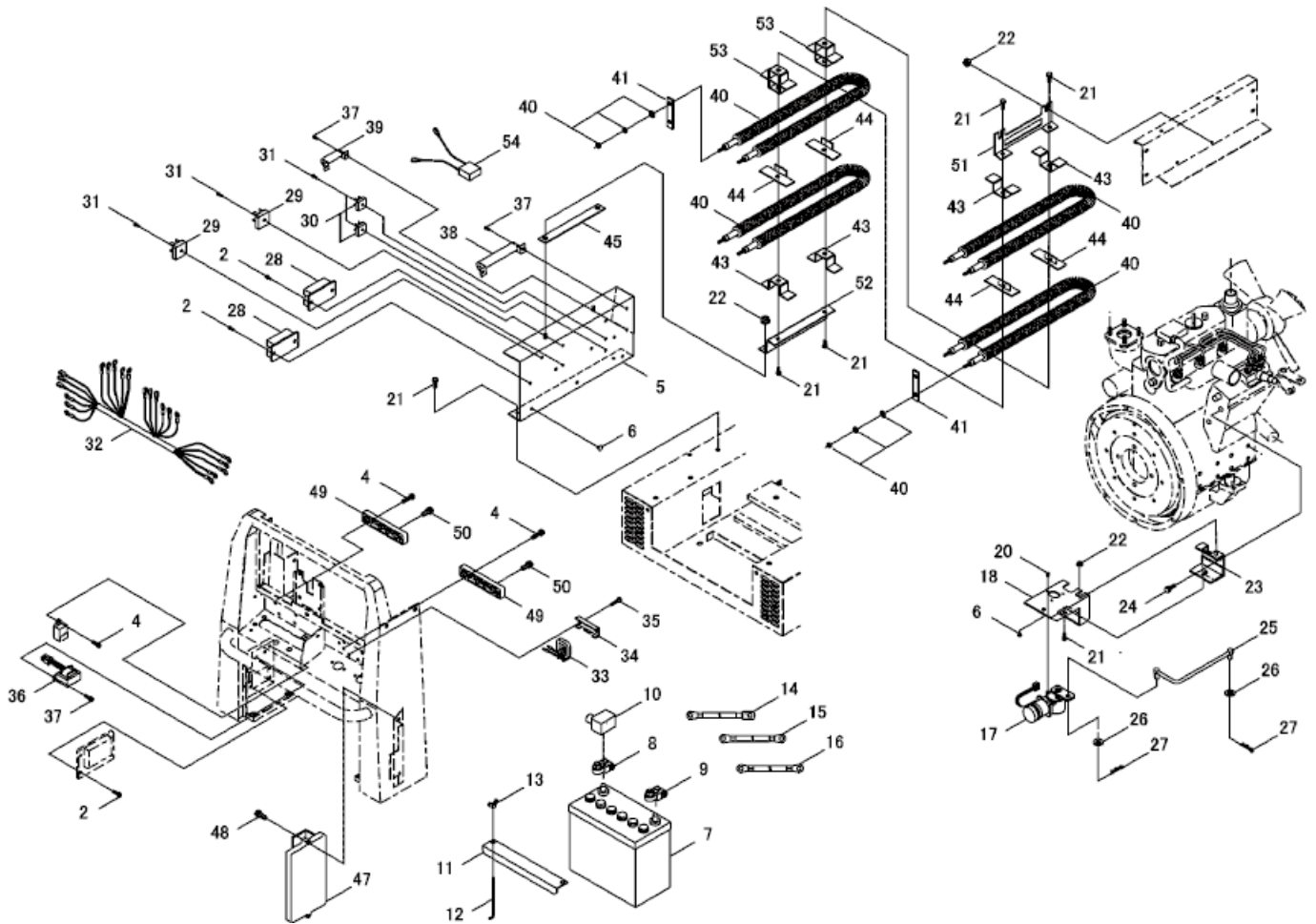


KEY	LV	PART NUMBER	Q'TY	DESCRIPTION	REMARKS
50		21964-85140	4	BOLT SW	
51		15240-12201	1	TERMINAL POST	
52		01600-04101	1	SPRING WASHER	
53		15240-16203	2	TERMINAL POST	
54		20972-86311	1	WIRING HARNESS	
57		19401-00448	1	LABEL,INST	
58		20920-96310	1	EARTH ROD COMP	
59		20972-82320	1	WIRING HARNESS	
60		20970-98310	1	HOUR METER SET	
61	•E	20970-98330	1	METER STAY	
62	•E	71230-73310	1	HOUR METER	
63	•E	01215-04108	2	SCREW TRUSS	

DGW310MC-220 5



KEY	LV	PART NUMBER	Q'TY	DESCRIPTION	REMARKS
2		01213-05200	8	SCREW SW	
4		01213-05160	5	SCREW SW	
5		20970-21421	1	CONTROL BOX	
6		27731-21020	4	BAND STOPPER	
7		05901-46643	1	BATTERY 46B24L	
8		21966-28110	1	TERMINAL +	
9		21966-28120	1	TERMINAL -	
10		21966-28130	1	TERMINAL CAP	
11		20930-28020	1	BATTERY STAY	
12		21995-28120	2	BOLT BATTERY	
13		01520-10822	2	WING NUT	
14		14350-78500	1	LEAD WIRE	
15		14350-73100	1	LEAD WIRE	
16		14350-71500	1	LEAD WIRE	
17		20970-61312	1	MOTOR COMP	
18		20970-61361	1	MOTOR STAY	
20		01213-03160	3	SCREW SW	
21		11041-06168	7	BOLT FT SW	
22		11526-06112	5	FLANGE NUT	
23		20970-61380	1	MOTOR BRACKET	
24		01011-08160	2	BOLT SW	
25		20970-61390	1	ROD	
26		01612-00600	2	WASHER	
27		12400-12060	2	SNAP PIN	



KEY	LV	PART NUMBER	Q'TY	DESCRIPTION	REMARKS
28		14606-70053	2	RECTIFIER	
29		14600-25006	2	RECTIFIER	
30		14600-15008	2	RECTIFIER	
31		01213-04200	4	SCREW SPW	
32		20970-71331	1	WIRING HARNESS	
33		21780-72120	1	CT	
34		20930-72010	1	CORE PLATE	
35		01211-06250	2	SCREW SW	
36		27720-61500	1	TRANSFORMER COMP	
37		01213-04120	6	SCREW SW	
38		20930-74010	1	RESISTOR COMP	
39		20970-74310	1	RESISTOR COMP	
40		20929-74020	4	RESISTOR	
41		20970-74320	4	BUS BAR	
43		20970-74341	4	RESISTOR STAY	
44		20970-74350	4	RESISTOR PLATE	
45		21785-72250	1	HEAT INSURATOR	
47		20970-75312	1	PRINTED CIRCUIT	
48		01017-05250	2	BOLT SW	
49		21760-81181	2	TERMINAL REST	
50		01213-06160	12	SCREW SW	
51		20970-74370	1	RESISTOR STAY	
52		20970-74380	1	RESISTOR STAY	
53		20970-74390	2	RESISTOR STAY	
54		20970-71340	1	CONDENSER	

Index

Parts Number	Key No.	Parts Number	Key No.	Parts Number	Key No.
01000-05451	3 - 20	01600-05131	3 - 22	14350-78500	5 - 14
01000-12221	1 - 60	01600-08201	4 - 47	14600-15008	5 - 30
01000-12221	2 - 7	01600-10251	1 - 17	14600-25006	5 - 29
01002-10254	3 - 3	01600-10251	3 - 4	14606-10508	3 - 25
01002-10304	3 - 15	01600-10256	4 - 38	14606-70053	5 - 28
01011-08160	1 - 55	01600-12301	1 - 61	14636-80004	3 - 23
01011-08160	5 - 24	01600-12301	2 - 8	14875-61000	3 - 31
01011-10500	2 - 65	01600-12301	3 - 7	14875-61002	3 - 32
01013-08200	1 - 28	01611-10200	1 - 18	15201-00081	4 - 36
01013-08200	2 - 18	01611-12250	2 - 9	15240-12201	4 - 51
01013-08250	3 - 17	01611-12250	3 - 8	15240-16203	4 - 53
01013-10250	2 - 12	01612-00500	3 - 21	15240-16301	4 - 45
01013-10300	3 - 10	01612-00600	5 - 26	15401-10013	2 - 59
01015-05080	4 - 37	01612-00800	2 - 25	16010-87071	2 - 68
01017-05250	5 - 48	01612-00800	4 - 46	17003-33003	2 - 6
01017-06160	2 - 62	01612-02000	2 - 70	17323-97000	3 - 16
01017-06200	1 - 13	02421-50300	2 - 69	17500-10002	2 - 31
01017-06250	2 - 23	02430-34150	3 - 14	17901-06085	2 - 22
01017-06250	4 - 49	04100-86001	4 - 40	19401-00206	2 - 77
01017-06300	2 - 27	05201-22111	4 - 28	19401-00324	2 - 87
01201-03128	2 - 46	05201-22113	4 - 27	19401-00446	2 - 88
01201-04100	2 - 17	05260-11202	4 - 17	19401-00447	2 - 89
01201-04100	2 - 17	05260-13100	4 - 16	19401-00448	4 - 57
01210-04120	4 - 9	05280-56405	4 - 31	19402-00166	2 - 76
01210-04700	4 - 34	05285-10500	4 - 11	19402-00187	2 - 78
01210-06120	2 - 2	05901-46643	5 - 7	19402-00192	2 - 79
01211-04080	4 - 30	11041-06168	1 - 14	19402-00193	2 - 80
01211-06250	3 - 38	11041-06168	2 - 5	19402-00194	2 - 81
01211-06250	5 - 35	11041-06168	4 - 26	19402-00195	2 - 82
01213-03160	5 - 20	11041-06168	5 - 21	19402-00199	2 - 84
01213-04120	5 - 37	11070-12160	3 - 6	19402-00200	2 - 85
01213-04160	4 - 5	11526-03112	2 - 47	19402-00201	2 - 83
01213-04200	5 - 31	11526-04102	4 - 35	19406-00087	2 - 92
01213-05160	5 - 4	11526-06112	2 - 24	19407-00069	2 - 90
01213-05200	3 - 34	11526-06112	5 - 22	19407-00070	2 - 91
01213-05200	5 - 2	11526-08112	1 - 23	19420-00103	2 - 75
01213-06160	3 - 27	11527-12112	3 - 1	20786-15460	1 - 44
01213-06160	4 - 3	12400-10050	2 - 33	20903-13240	1 - 27
01213-06160	5 - 50	12400-12060	5 - 27	20915-82020	4 - 25
01213-06200	3 - 28	12900-63070	3 - 13	20915-82040	4 - 18
01213-06550	3 - 33	14320-61800	3 - 35	20915-82050	4 - 20
01215-04108	4 - 63	14320-73200	4 - 43	20920-96310	4 - 58
01215-05128	1 - 37	14320-73504	4 - 23	20923-22450	1 - 52
01215-05128	2 - 56	14320-73900	4 - 21	20923-25510	2 - 54
01500-08061	4 - 48	14320-74601	4 - 22	20925-26301	2 - 32
01500-10086	4 - 39	14320-76400	4 - 42	20925-26411	2 - 34
01520-01009	4 - 41	14320-77001	4 - 24	20929-14050	1 - 35
01520-10822	5 - 13	14350-71500	5 - 16	20929-14070	1 - 36
01600-04101	4 - 52	14350-73100	5 - 15	20929-14070	2 - 55

Index

Parts Number	Key No.	Parts Number	Key No.	Parts Number	Key No.
20929-31011	3 - 2	20970-74310	5 - 39	21962-13130	1 - 22
20929-71040	3 - 29	20970-74320	5 - 41	21964-85140	4 - 50
20929-74020	5 - 40	20970-74341	5 - 43	21966-28110	5 - 8
20929-81010	4 - 13	20970-74350	5 - 44	21966-28120	5 - 9
20929-81030	4 - 14	20970-74370	5 - 51	21966-28130	5 - 10
20930-15060	1 - 71	20970-74380	5 - 52	21976-51210	1 - 16
20930-22020	1 - 66	20970-74390	5 - 53	21990-27240	2 - 40
20930-28020	5 - 11	20970-75312	5 - 47	21990-91120	2 - 72
20930-31012	3 - 5	20970-75330	4 - 8	21995-25210	2 - 39
20930-52021	3 - 19	20970-78311	4 - 10	21995-28120	5 - 12
20930-71041	3 - 30	20970-84320	4 - 32	21995-72100	3 - 36
20930-72010	3 - 37	20970-84330	4 - 33	23180-61130	2 - 66
20930-72010	5 - 34	20970-98310	4 - 60	27720-61500	5 - 36
20930-74010	5 - 38	20970-98330	4 - 61	27731-21020	4 - 6
20930-86011	4 - 44	20970-98380	4 - 64	27731-21020	5 - 6
20950-15350	1 - 49	20971-29320	2 - 67	71230-73310	4 - 62
20950-22320	1 - 72	20971-98370	2 - 93	71906-25100	2 - 49
20950-31340	3 - 9	20972-23341	4 - 1	71906-25160	2 - 51
20950-51312	3 - 12	20972-23370	4 - 4	71906-25180	2 - 53
20970-11340	1 - 12	20972-27311	2 - 61	71906-26210	2 - 30
20970-11350	1 - 15	20972-82320	4 - 59	71906-83360	4 - 29
20970-12310	1 - 20	20972-86311	4 - 54	71918-23310	2 - 15
20970-13311	1 - 24	20972-91330	2 - 73	71918-23330	2 - 19
20970-13320	1 - 25	20972-91340	2 - 74	71918-23350	2 - 20
20970-13331	1 - 26	21001-78130	4 - 12	71918-23370	2 - 28
20970-14321	1 - 29	21006-22050	1 - 73	71918-23410	4 - 2
20970-14330	1 - 38	21440-23490	2 - 14	71918-24310	2 - 35
20970-14340	1 - 39	21610-25210	2 - 45	71918-24330	2 - 36
20970-16320	1 - 54	21740-24050	1 - 34	71918-25310	2 - 38
20970-21311	2 - 1	21760-81181	5 - 49	71918-25330	2 - 44
20970-21370	2 - 4	21780-34140	3 - 26	71918-26310	2 - 57
20970-21380	2 - 10	21780-72120	5 - 33	71918-26330	2 - 60
20970-21390	2 - 11	21780-75120	4 - 15	71918-29310	2 - 64
20970-21400	2 - 13	21783-14420	1 - 30	71918-91310	2 - 71
20970-21421	5 - 5	21783-14430	1 - 31		
20970-24400	2 - 37	21783-14440	1 - 32		
20970-25360	2 - 52	21783-14460	1 - 33		
20970-25380	2 - 50	21783-23310	2 - 16		
20970-26340	2 - 58	21783-26210	2 - 29		
20970-27331	2 - 63	21785-72250	5 - 45		
20970-31311	3 - 11	21940-14170	1 - 74		
20970-52311	3 - 18	21940-22250	2 - 21		
20970-61312	5 - 17	21940-22270	2 - 26		
20970-61361	5 - 18	21940-23280	2 - 41		
20970-61380	5 - 23	21940-23310	2 - 42		
20970-61390	5 - 25	21940-23320	2 - 43		
20970-71321	3 - 24	21945-11090	1 - 19		
20970-71331	5 - 32	21945-15070	1 - 9		
20970-71340	5 - 54	21945-21080	2 - 3		

YAMABIKO CORPORATION

7-2 SUEHIROCHO 1-CHOME, OHME, TOKYO 198-8760, JAPAN
PHONE: 81-428-32-6118. FAX: 81-428-32-6145.

shindaiwa