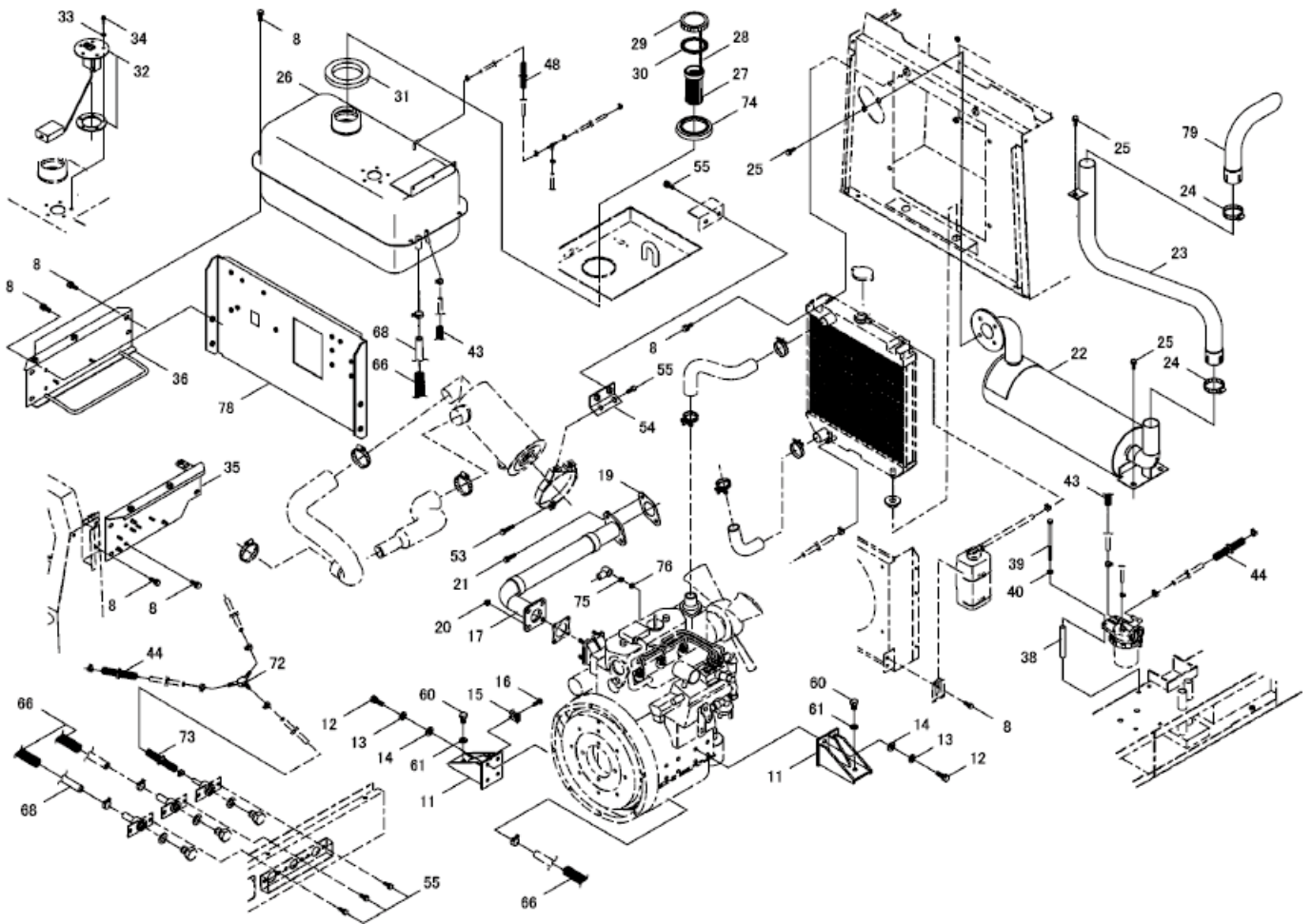


shindaiwa

PARTS CATALOGUE

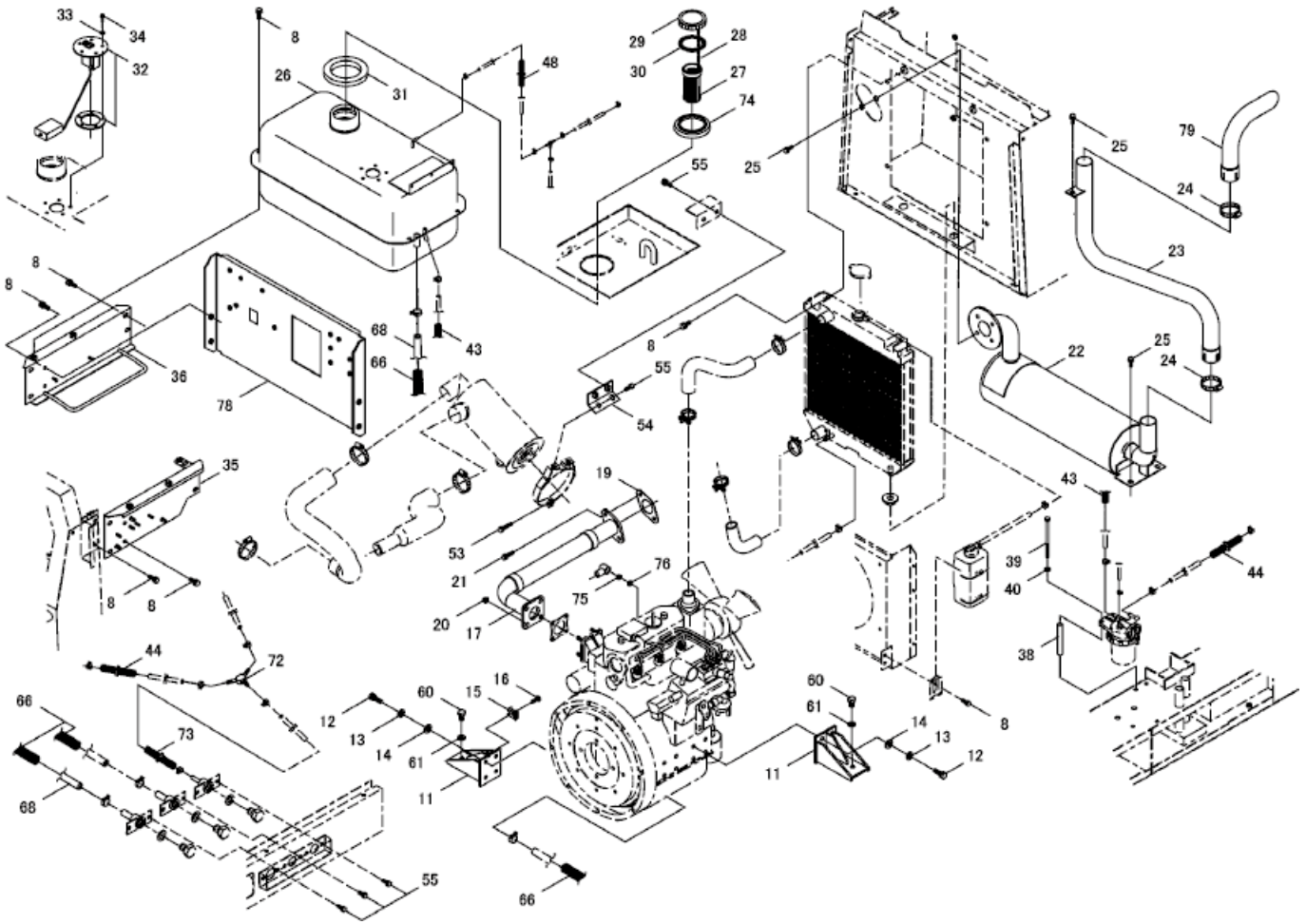
DGW400DM-C

DGW400DM-C 1



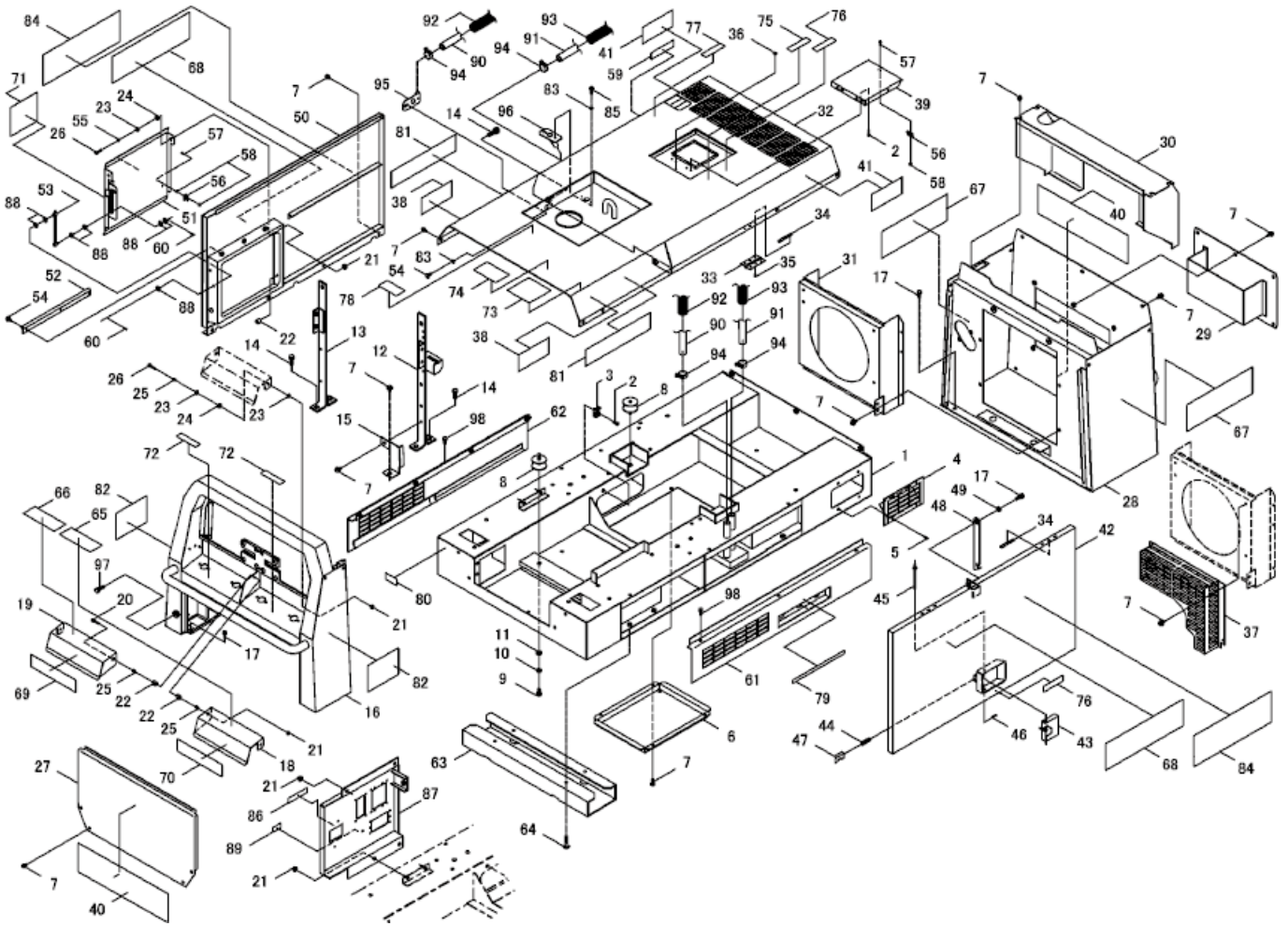
KEY	LV	PART NUMBER	Q'TY	DESCRIPTION	REMARKS
8		11041-06168	20	BOLT FT SW	
11		20930-11060	2	ENGINE STAY	
12		21976-51210	8	BOLT	
13		01600-10251	8	SPRING WASHER	
14		01611-10200	8	WASHER	
15		21990-24220	1	TIE MOUNT	
16		11270-05163	1	SCREW TAPPING	
17		20930-12010	1	FLEXIBLE TUBE	
19		21962-13130	1	GASKET	
20		11526-08112	4	FLANGE NUT	
21		01013-08300	2	BOLT SW	
22		20929-13010	1	MUFFLER	
23		20936-13310	1	EXHAUST PIPE	
24		20903-13240	2	CLAMP	
25		01013-08200	5	BOLT SPW	
26		20930-14021	1	FUEL TANK	
27		21783-14420	1	STRAINER	
28		21783-14430	1	CHAIN	
29		21783-14440	1	TANK CAP	
30	+	21783-14460	1	PACKING	
31		21944-14061	1	SHEET	
32		20929-14050	1	FUEL GAUGE	
33		20929-14070	5	SEAL WASHER	
34		01215-05128	5	SCREW TRUSS	

DGW400DM-C 1



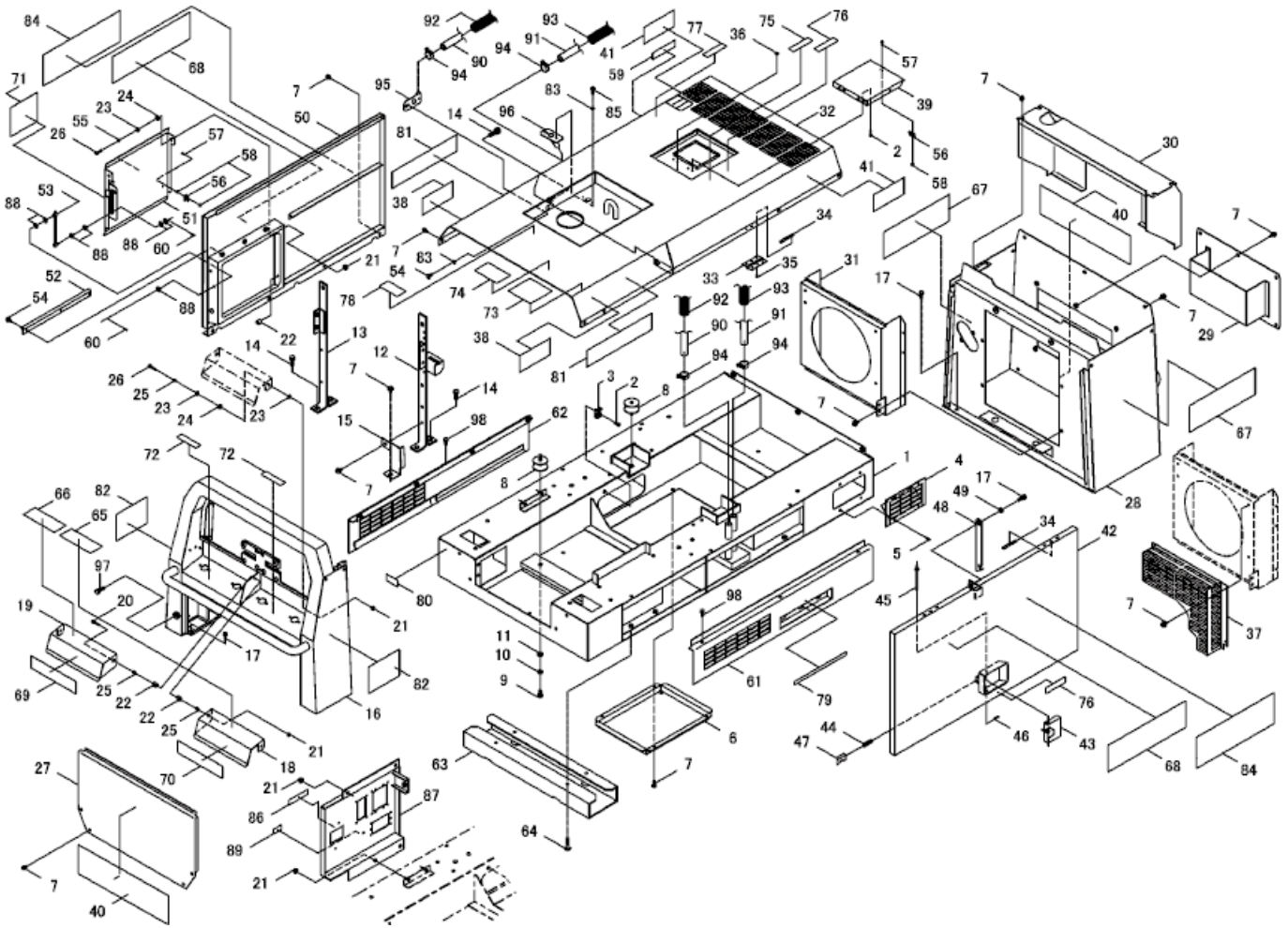
KEY	LV	PART NUMBER	QTY	DESCRIPTION	REMARKS
35		71915-14030	1	TANK STAY RIGHT	
36		71906-14050	1	TANK STAY LEFT	
38		20930-15020	2	PIPE	
39		11070-08150	2	BOLT	
40		01612-00800	2	WASHER	
43		20930-15050	1	TUBE	
44		20930-15060	2	TUBE	
48		21945-15120	1	TUBE	
53		01013-08350	1	BOLT SPW	
54		20930-16030	1	CLEANER STAY	
55		01011-08160	10	BOLT SW	
60		01000-12221	2	BOLT	
61		01600-12301	2	SPRING WASHER	
66		20930-22020	2	TUBE	
68		20950-22310	1	HOSE	
72		21006-22050	1	JOINT	
73		20930-22040	1	TUBE	
74		21940-14170	1	TANK BUSH	
75		01500-08061	1	NUT	
76		01600-08201	1	SPRING WASHER	
78		71915-23370	1	PLATE CONTROLLER	
79		28800-05110	1	TAIL PIPE	

DGW400DM-C 2



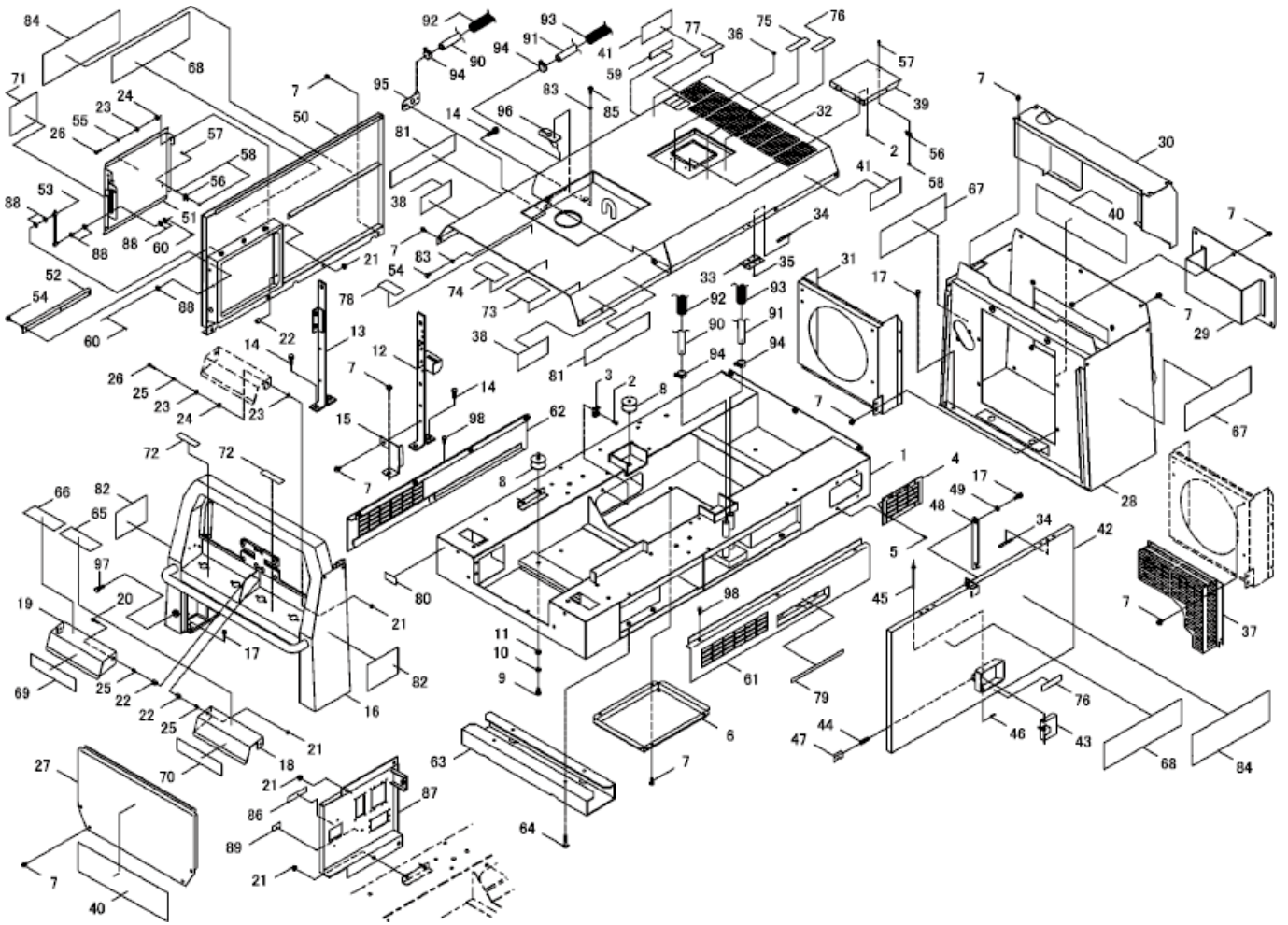
KEY	LV	PART NUMBER	Q'TY	DESCRIPTION	REMARKS
1		71906-21015	1	BED	
2		11270-05123	5	SCREW TAPPING	
3		21990-24220	1	TIE MOUNT	
4		20930-21040	2	DUCT PLATE	
5		11270-04121	8	SCREW TAPPING	
6		20930-21060	1	OIL PAN COVER	
7		11041-06168	46	BOLT FT SW	
8		17003-33003	4	AV RUBBER	
9		01000-12221	2	BOLT	
10		01600-12301	2	SPRING WASHER	
11		01611-12250	2	WASHER	
12		20930-21070	1	STAND BAR RIGHT	
13		20929-21070	1	STAND BAR LEFT	
14		01013-10250	6	BOLT SW	
15		20930-21080	1	DOOR CATCH	
16		71915-23012	1	FRONT COVER	
17		01013-08200	7	BOLT SPW	
18		71915-23330	1	TERMINAL COVER RIGHT	
19		71915-23350	1	TERMINAL COVER LEFT	
20		01017-06300	1	BOLT SW	
21		11526-06112	9	FLANGE NUT	
22		21940-22270	4	RUBBER PIPE	
23		01612-00800	6	WASHER	
24		21940-22250	4	BUSH RUBBER	

DGW400DM-C 2



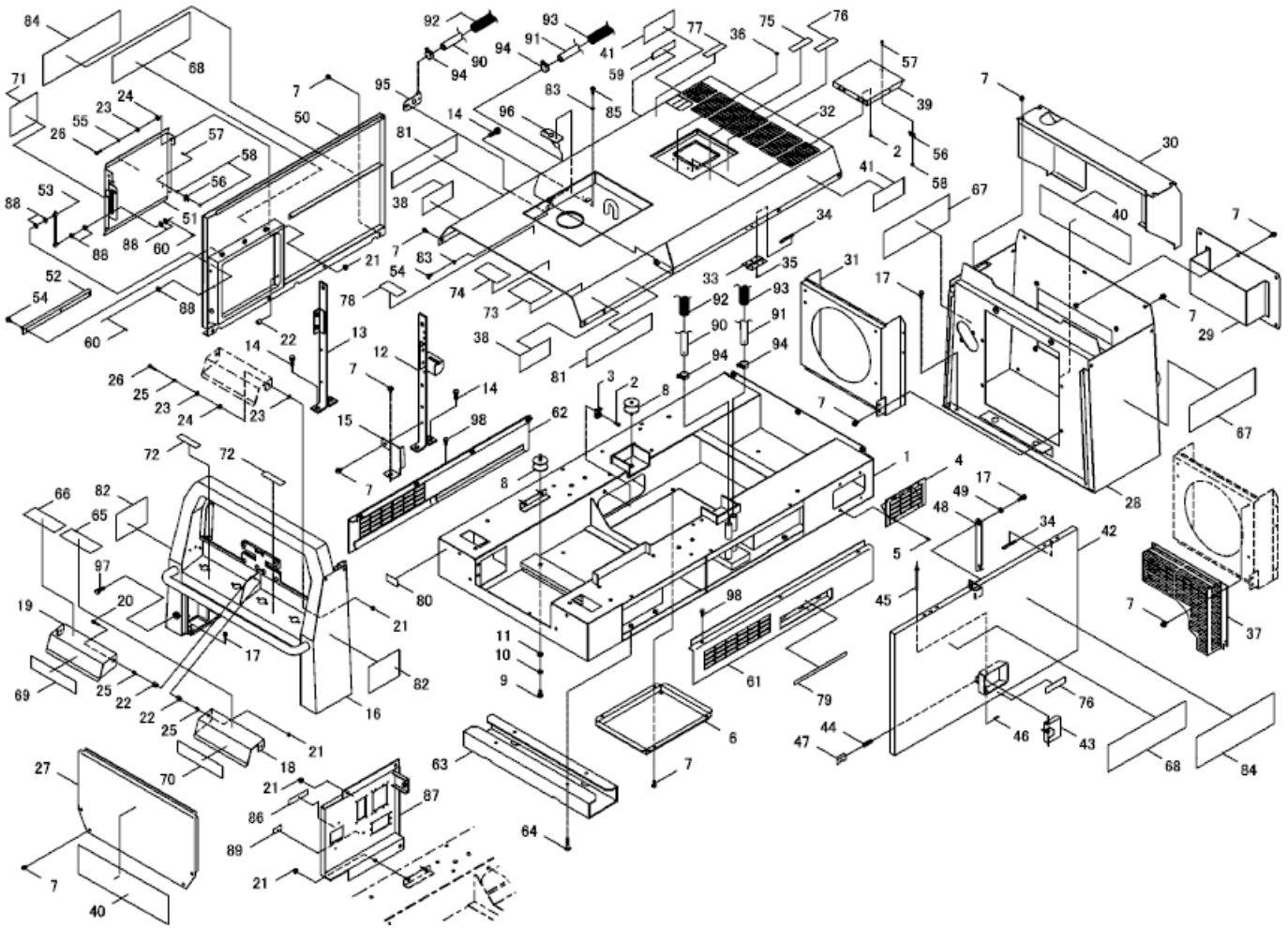
KEY	LV	PART NUMBER	QTY	DESCRIPTION	REMARKS
25		17901-06085	4	COLLAR	
26		01017-06250	4	BOLT SW	
27		71915-23130	1	FRONT PANEL	
28		71915-24010	1	REAR COVER	
29		71915-24140	1	REAR PANEL	
30		20930-24060	1	MUFFLER GUARD	
31		71915-24080	1	FAN SHROUD	
32		71915-25310	1	TOP COVER	
33	+	21995-25210	2	HINGE	
34	+	21990-27240	4	TAPPING PLATE	
35	+	01201-04100	6	SCREW	
36	+	71906-25040	1	CUSHION	
37		71915-24310	1	FAN GUARD	
38		19406-00085	2	LABEL FEATURE	
39		71915-25331	1	CHECK PLATE	
40		19406-00086	2	LABEL FEATURE	
41		19404-00049	2	LABEL AMPERE	
42		71915-26010	1	SIDE COVER	
43		71915-26310	1	DOOR HANDLE	
44		17500-10002	1	COIL SPRING	
45		20925-26301	1	PIN COMP	
46		12400-10050	1	SNAP PIN	
47		20925-26411	1	LATCH	
48		20923-26212	1	STOPPER ARM	

DGW400DM-C 2



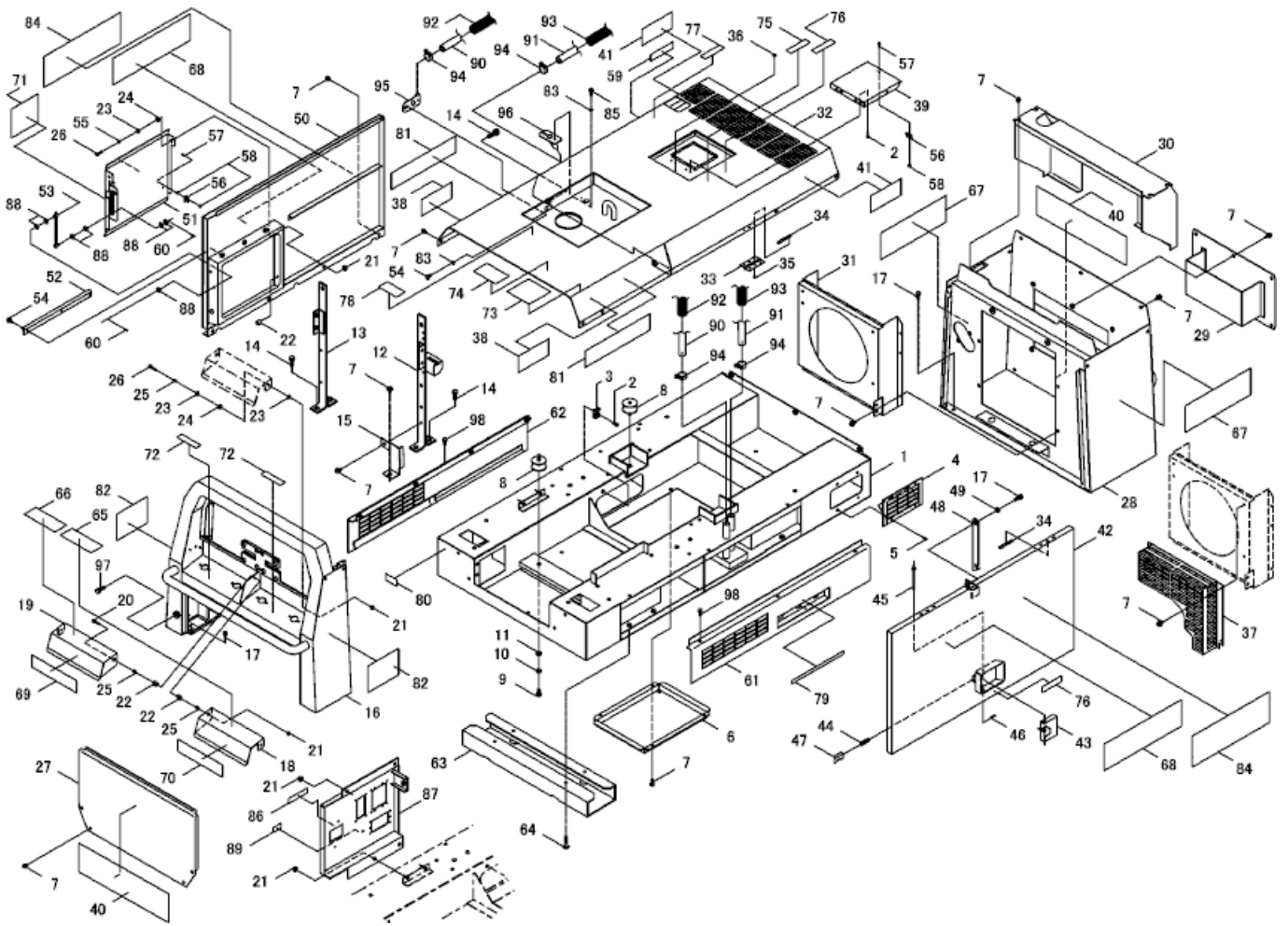
KEY	LV	PART NUMBER	Q'TY	DESCRIPTION	REMARKS
49		15401-10013	1	COLLAR	
50		71915-26050	1	SIDE PANEL	
51		71915-26320	1	TERMINAL COVER	
52		71915-26330	1	PLATE	
53		71906-26371	1	ROD	
54		01215-05128	5	SCREW TRUSS	
55		17901-06095	2	COLLAR	
56		21850-27220	2	TONGUE	
57		01213-03120	4	SCREW SW	
58		11526-03112	6	FLANGE NUT	
59		19402-00256	1	LABEL CAUTION	
60		12400-12060	2	SNAP PIN	
61		71906-27010	1	SIDE PLATE R	
62		71906-27040	1	SIDE PLATE L	
63		71906-29010	2	BASE	
64		11210-10250	8	SCREW BUTTON	
65		71906-91311	1	LABEL NAME	
66		71915-91310	1	LABEL NAME	
67		71915-91320	2	LABEL TRADE	
68		19430-00000	2	LABEL TRADE	
69		19401-00291	1	LABEL INST	
70		19401-00292	1	LABEL INST	
71		19402-00187	1	LABEL CAUTION	
72		19402-00193	2	LABEL CAUTION	

DGW400DM-C 2



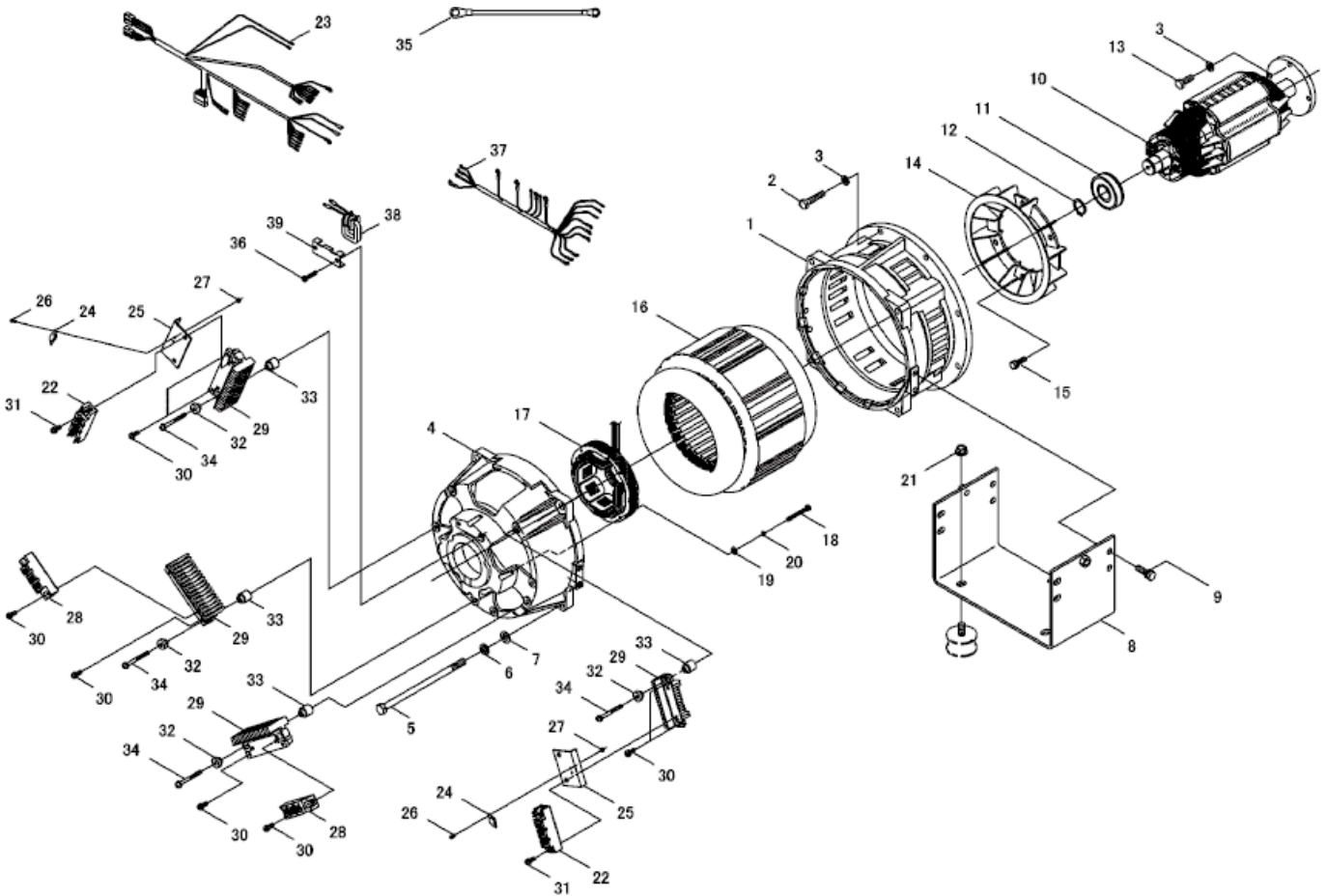
KEY	LV	PART NUMBER	QTY	DESCRIPTION	REMARKS
73		19402-00194	1	LABEL CAUTION	
74		19402-00195	1	LABEL CAUTION	
75		19402-00201	1	LABEL CAUTION	
76		19402-00199	2	LABEL CAUTION	
77		19402-00200	1	LABEL CAUTION	
78		19402-00166	1	LABEL CAUTION	
79		19401-00282	1	LABEL INST	
80		19401-00206	1	LABEL INST	
81		19406-00087	2	LABEL FEATURE	
82		19407-00063	2	LABEL DESIGN	
83		20929-14070	4	SEAL WASHER	
84		19420-00095	2	LABEL TRADE	
85		01215-05168	2	SCREW TRUSS	
86		19401-00293	1	LABEL INST	
87		71915-83350	1	CONTROL PLATE	
88		71906-26400	7	WASHER	
89		19401-00218	1	LABEL INST	
90		71906-25150	1	HOSE	
91		71906-25160	1	HOSE	
92		71906-25170	1	TUBE	
93		71906-25180	1	TUBE	
94		20923-25510	4	HOUSE CLAMP	
95		71906-25100	1	DRAIN PIPE	
96		71906-25130	1	DRAIN PIPE	

DGW400DM-C 2

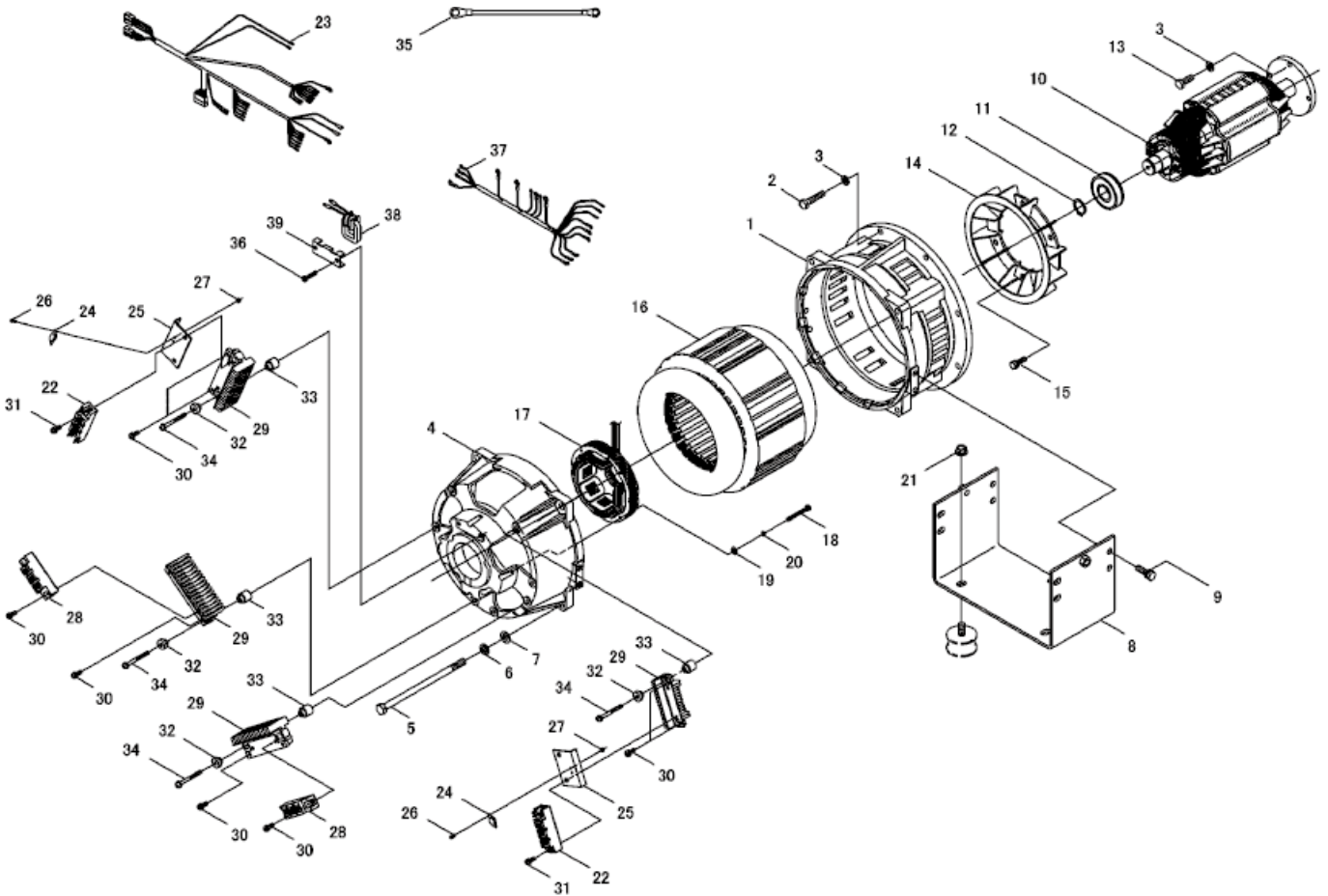


KEY	LV	PART NUMBER	Q'TY	DESCRIPTION	REMARKS
-----	----	-------------	------	-------------	---------

97		11044-08200	1	BOLT TAPPING	
98		01017-06160	6	BOLT SW	

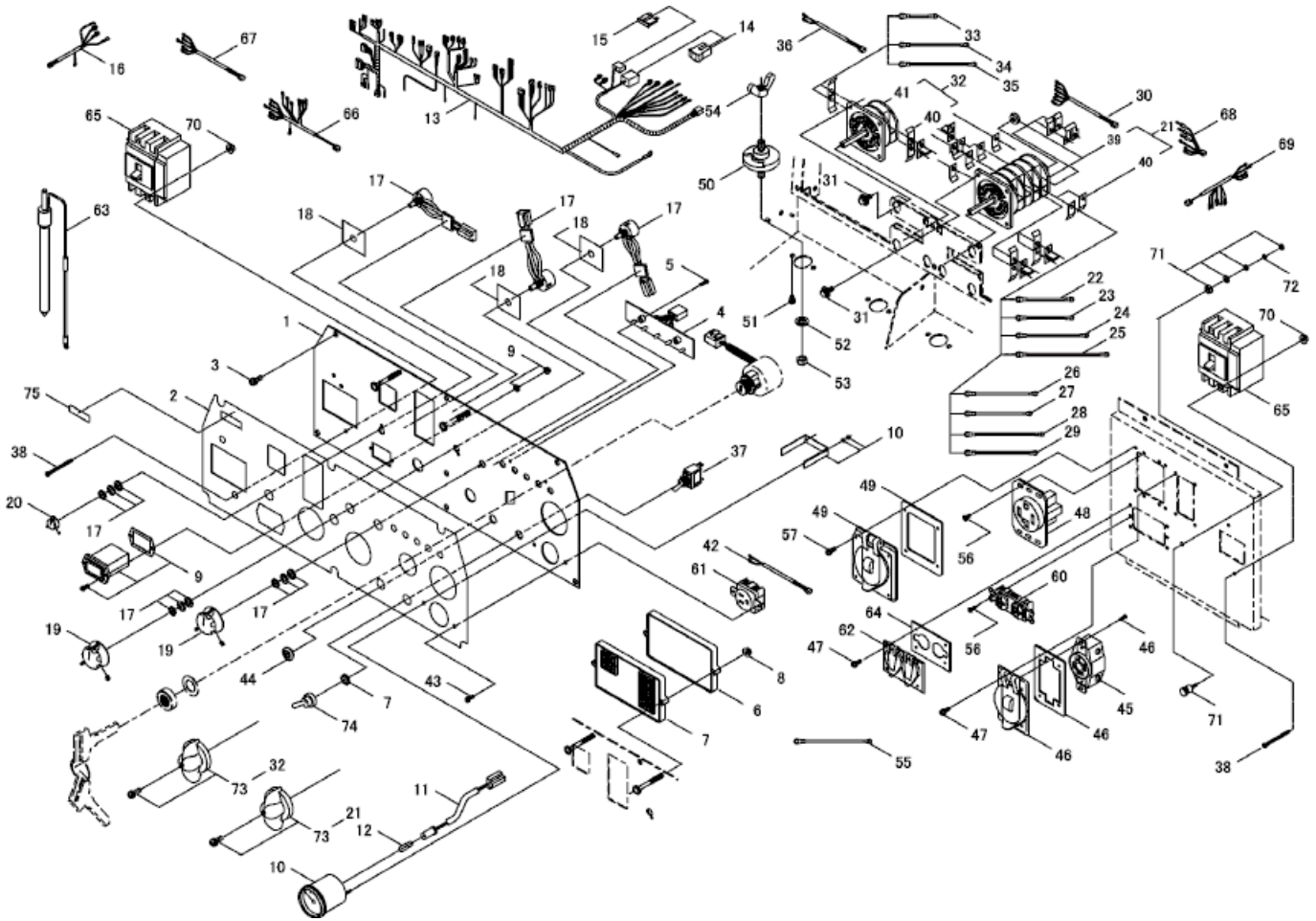


KEY	LV	PART NUMBER	QTY	DESCRIPTION	REMARKS
1		20929-31011	1	FRONT BRACKET	
2		01000-10259	8	BOLT	
3		01600-10251	12	SPRING WASHER	
4		20930-31012	1	REAR BRACKET	
5		11070-12200	4	BOLT	
6		01600-12301	4	SPRING WASHER	
7		01611-12250	4	WASHER	
8		20930-31030	1	GENERATOR STAY	
9		01013-10300	8	BOLT SPW	
10		20930-51321	1	ROTOR	
11		12900-63070	1	BEARING	
12		02430-34150	1	SNAP RING	
13		01002-10304	4	BOLT	
14		17323-97000	1	FAN	
15		01013-08250	6	BOLT SPW	
16		71915-52311	1	STATOR	
17		71917-52340	1	STATOR	
18		01000-05451	4	BOLT	
19		01612-00500	4	WASHER	
20		01600-05131	4	SPRING WASHER	
21		11527-12112	2	FLANGE NUT	
22		14636-10514	2	THYRISTOR	
23		71915-71320	1	WIRING HARNESS	
24		20930-71031	2	THERMOSTAT	



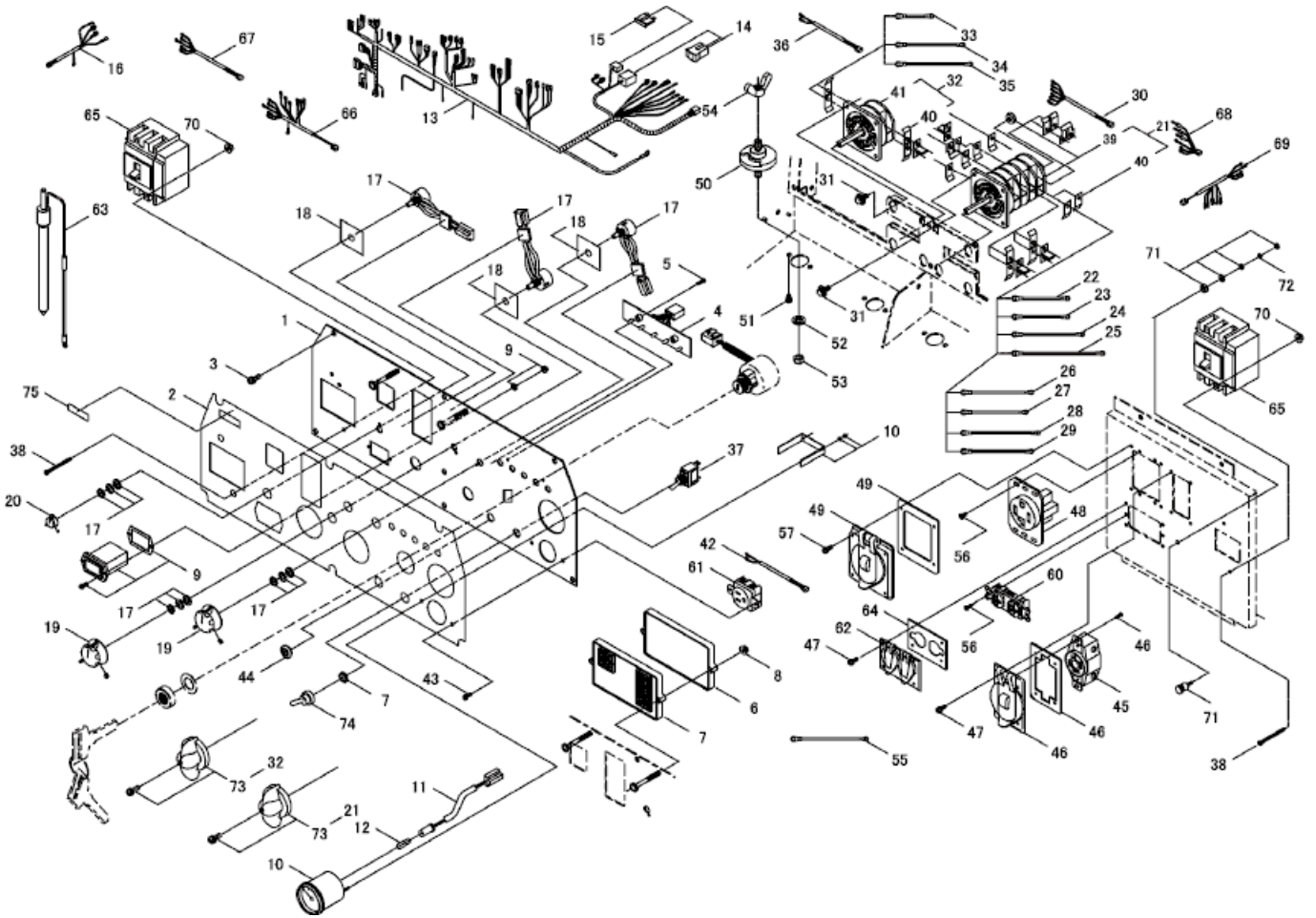
KEY	LV	PART NUMBER	Q'TY	DESCRIPTION	REMARKS
25		20930-71041	2	STACK FIN	
26		01213-03120	4	SCREW SW	
27		11526-03112	4	FLANGE NUT	
28		14606-10514	2	RECTIFIER	
29		21780-34140	4	STACK FIN	
30		01213-06160	10	SCREW SW	
31		01213-06200	4	SCREW SW	
32		14875-61000	8	INS RING	
33		14875-61002	8	INS RING	
34		01213-06550	8	SCREW SW	
35		14320-61800	6	LEAD WIRE	
36		01211-06250	2	SCREW SW	
37		71906-71341	1	WIRING HARNESS	
38		21995-72100	1	CT COMP	
39		20930-72010	1	CORE PLATE	

DGW400DM-C 4



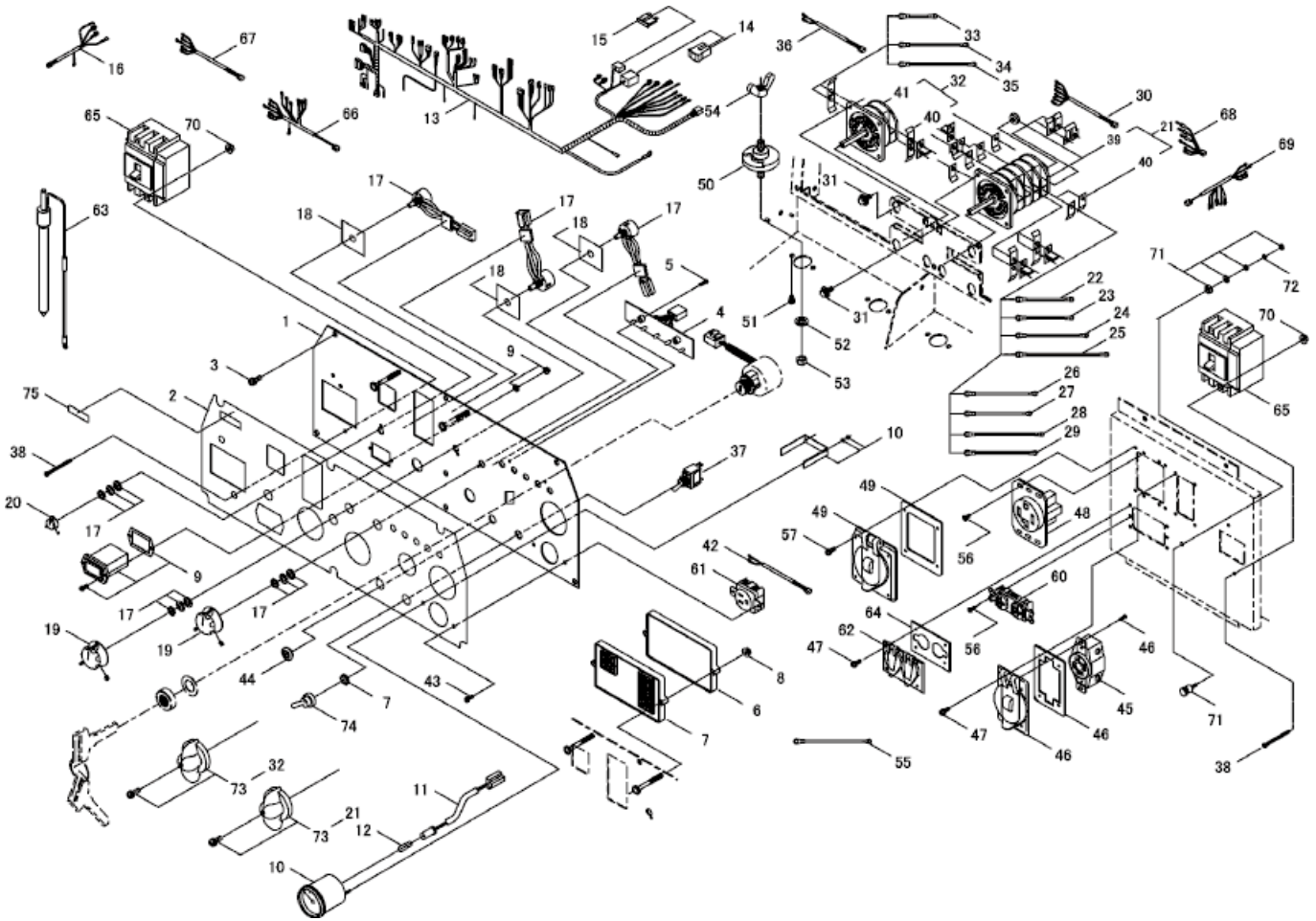
KEY	LV	PART NUMBER	QTY	DESCRIPTION	REMARKS
1		71915-23062	1	CONTROL PANEL	
2	+	71917-23320	1	LABEL CONTROL	
3		01213-06160	7	SCREW SW	
4		20930-75041	1	PRINT CIRCUIT	
5		01210-04140	2	SCREW	
6		71915-75020	1	PRINTED CIRCUIT	
7		71906-75330	1	PRINT CIRCUIT	
8		11526-05112	2	FLANGE NUT	
9		71230-73310	1	HOUR METER	
10		21974-12330	1	FUEL METER	
11		20930-77010	1	LAMP ASSY	
12	+	15230-29001	1	PILOT LAMP	
13		71915-78010	1	WIRING HARNESS	
14	+	05285-10500	1	FUSE	
15	+	21006-78030	1	FUSE	
16		71906-78320	1	WIRING HARNESS	
17		20929-81010	3	VOLUM COMP	
18		20929-81030	3	INS PAPER	
19		21780-75120	2	DIAL	
20		21614-82210	1	DIAL	
22		14320-83500	1	LEAD WIRE	
23		14320-83501	1	LEAD WIRE	
24		14320-85500	1	LEAD WIRE	
25		14320-89500	1	LEAD WIRE	

DGW400DM-C 4



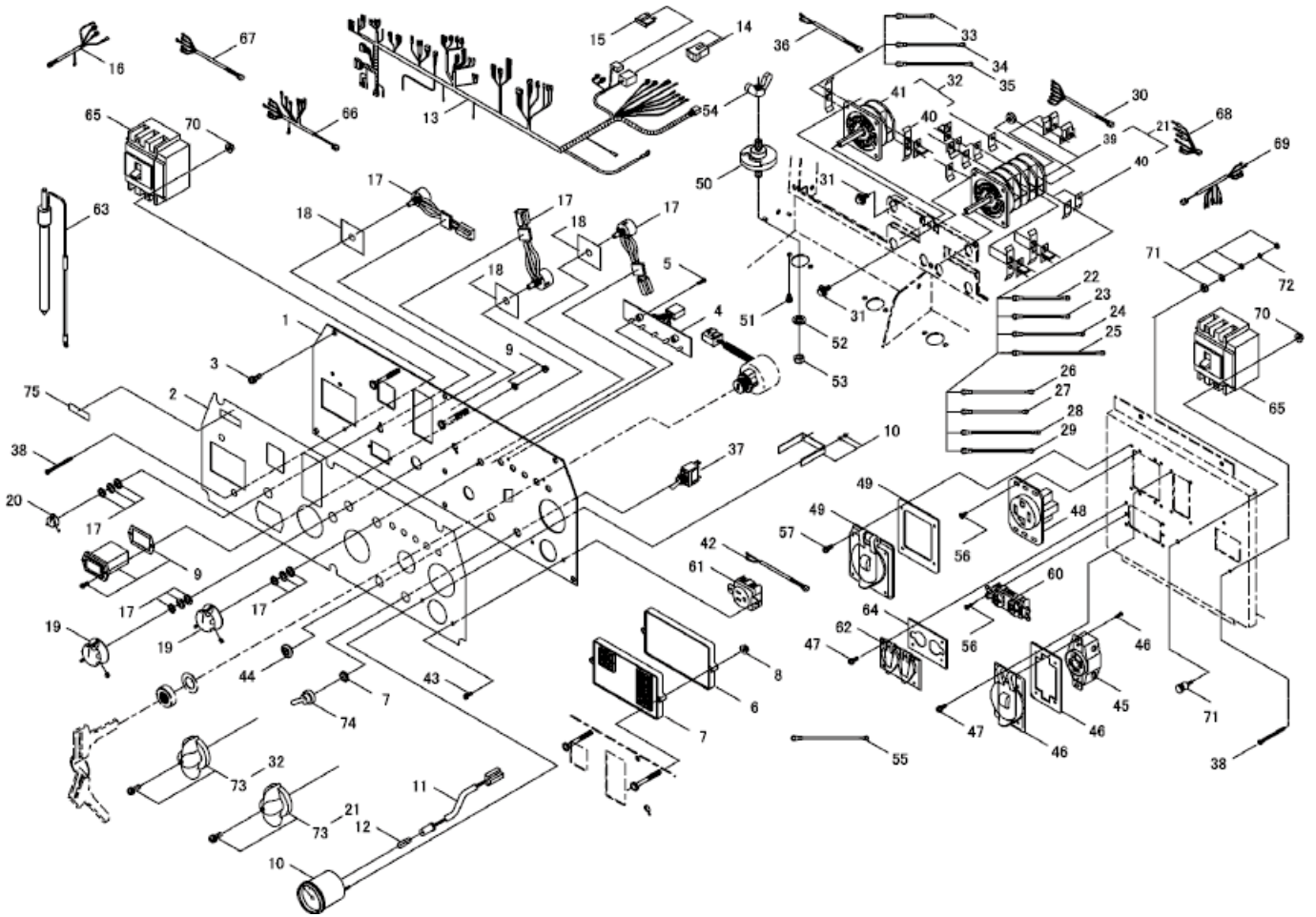
KEY	LV	PART NUMBER	Q'TY	DESCRIPTION	REMARKS
26		14320-85000	1	LEAD WIRE	
27		14320-84000	1	LEAD WIRE	
28		14320-87400	1	LEAD WIRE	
29		14320-85100	1	LEAD WIRE	
30		71906-82330	1	WIRING HARNESS	
31		11041-06168	8	BOLT FT SW	
33		14320-82800	1	LEAD WIRE	
34		14320-87100	1	LEAD WIRE	
35		14320-89000	1	LEAD WIRE	
36		71906-82340	1	WIRING HARNESS	
37		05260-13100	1	TOGGLE SWITCH	
38		01210-04800	4	SCREW	
21		71917-82320	1	CAM SWITCH SUB ASSY	
39	+	71917-82330	1	CAM SWITCH	
40	+	20930-82060	16	SEAL PLATE	
32		71906-82360	1	CAM SWITCH SUB ASSY	
40	+	20930-82060	4	SEAL PLATE	
41	+	71906-82320	1	CAM SWITCH	
42		71906-83360	1	WIRING HARNESS	
43		01211-04080	2	SCREW SW	
44		15250-20600	1	GROMMET	
45		05201-33300	1	SOCKET	
46		71915-83310	1	SOCKET COVER	
47		01213-04200	8	SCREW SPW	

DGW400DM-C 4



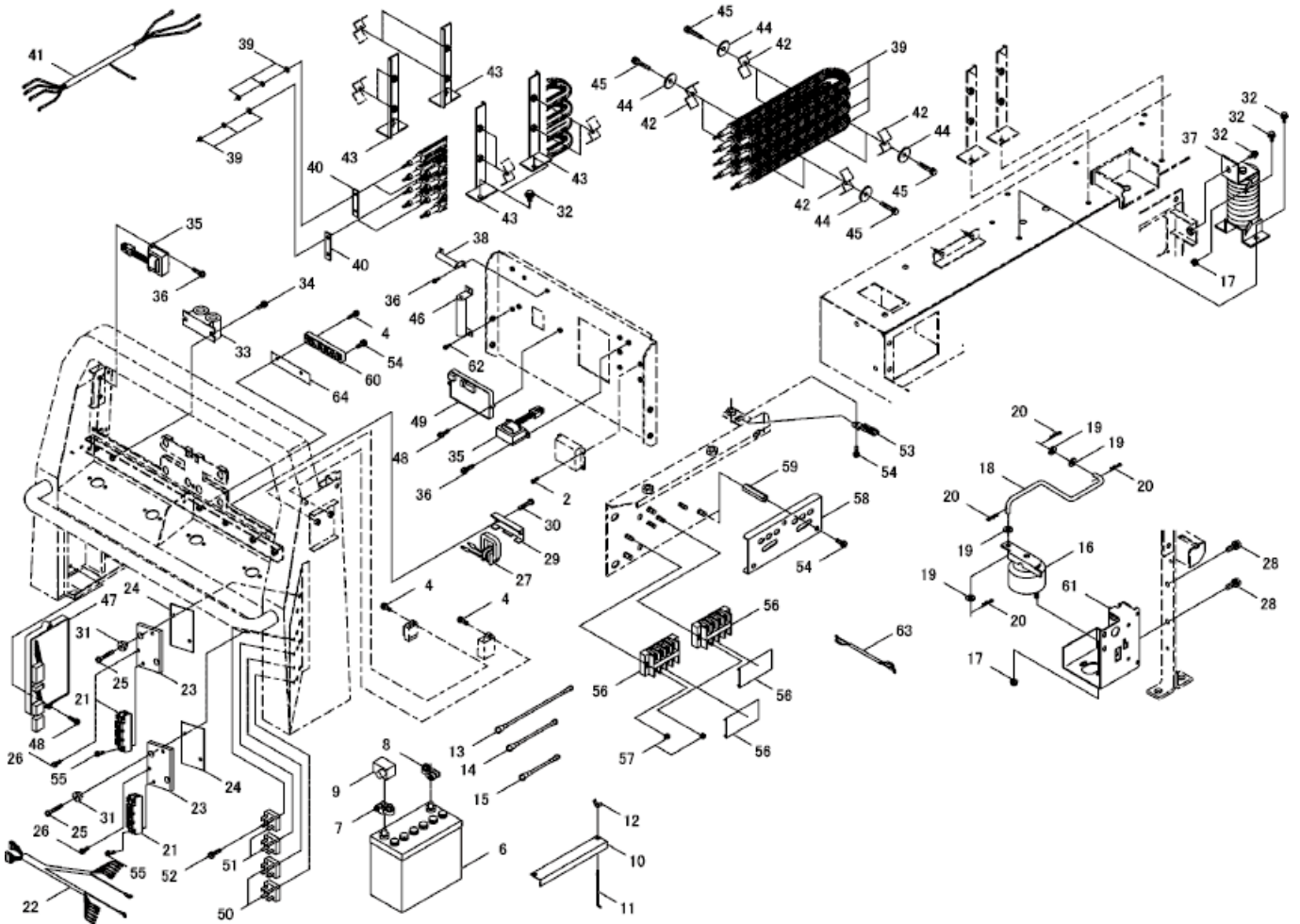
KEY	LV	PART NUMBER	QTY	DESCRIPTION	REMARKS
48		05201-37201	1	SOCKET	
49		71915-83320	1	SOCKET COVER	
50		15201-00081	4	TERMINAL REST	
51		01015-05080	8	BOLT SW	
52		01600-10256	4	SPRING WASHER	
53		01500-10086	4	NUT	
54		01520-01009	4	WING NUT	
55		14320-85700	1	LEAD WIRE	
56		01201-04100	6	SCREW	
57		01213-04250	4	SCREW SPW	
60		05201-23101	1	SOCKET	
61		05201-22111	1	SOCKET	
62		71915-83330	1	SOCKET COVER	
63		20920-96310	1	EARTH ROD COMP	
64		71915-83340	1	SEET	
65		05280-53405	2	BREAKER	
66		71915-84320	1	WIRING HARNESS	
67		71915-84330	1	WIRING HARNESS	
68		71915-84350	1	WIRING HARNESS	
69		71915-84360	1	WIRING HARNESS	
70		11526-04102	4	FLANGE NUT	
71		15240-12201	1	TERMINAL POST	
72		01600-04101	1	SPRING WASHER	
73		20970-98380	2	HANDLE	

DGW400DM-C 4



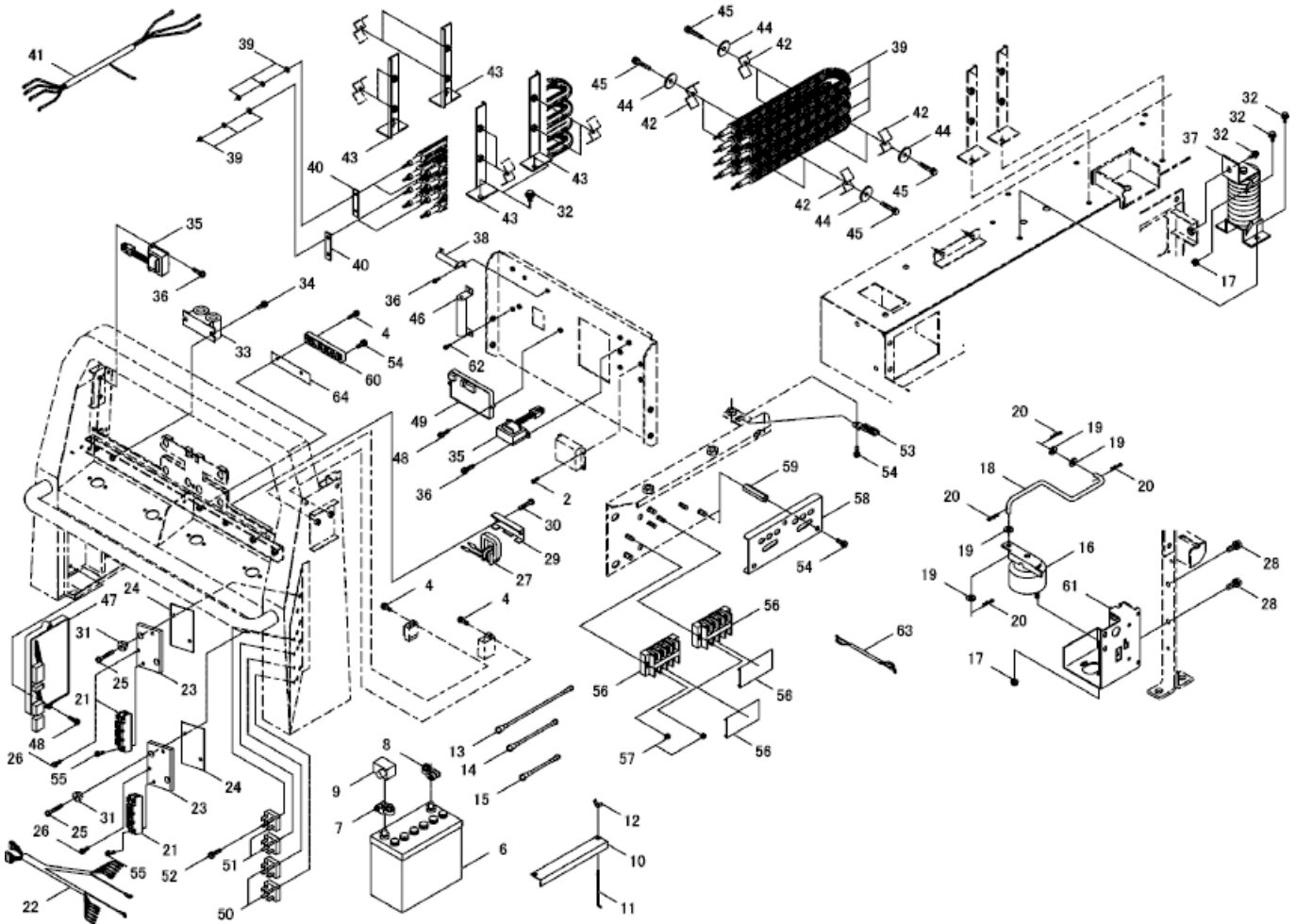
KEY	LV	PART NUMBER	Q'TY	DESCRIPTION	REMARKS
-----	----	-------------	------	-------------	---------

74		22851-84010	1	CAP	
75		19401-00376	1	LABEL INST	



KEY	LV	PART NUMBER	Q'TY	DESCRIPTION	REMARKS
28		01013-08200	2	BOLT SPW	
29		20930-72010	1	CORE PLATE	
30		01211-06250	2	SCREW SW	
31		14875-61000	4	INS RING	
32		11041-06168	9	BOLT FT SW	
33		71906-72110	1	CT	
34		01213-04160	2	SCREW SPW	
35		27720-61500	2	TRANSFORMER COMP	
36		01213-04120	6	SCREW SW	
37		71906-72320	1	REACTOR	
38		20930-74010	1	RESISTOR COMP	
39		20929-74020	4	RESISTOR	
40		20929-74030	4	BUS BAR	
41		71906-74320	1	WIRING HARNESS	
42		20929-74051	8	RESISTOR STAY	
43		20930-74031	4	RESISTOR PLATE	
44		15401-50000	8	COLLAR	
45		01013-06450	8	BOLT SPW	
46		71915-74310	1	RESISTOR COMP	
47		71915-75011	1	PRINTED CIRCUIT	
48		01017-05250	4	BOLT SW	
49		71906-75310	1	PRINTED CIRCUIT	
50		14600-25006	2	RECTIFIER	
51		14600-15008	2	RECTIFIER	

DGW400DM-C 5



KEY	LV	PART NUMBER	QTY	DESCRIPTION	REMARKS
52		01213-04200	4	SCREW SPW	
53		21945-78050	1	FUSE STAY	
54		01213-06160	10	SCREW SW	
55		01213-06200	4	SCREW SW	
56		15241-19401	2	TERMINAL BLOCK	
57		11526-05112	4	FLANGE NUT	
58		71915-14060	1	COVER	
59		71906-14080	3	NUT	
60		21760-81181	1	TERMINAL REST	
61		20930-88010	1	THROTTLE BRACKET	
62		11200-04080	2	SCREW PL	
63		71915-78320	1	WIRING HARNESS	
64		71920-86310	1	SEAT	

Index

Parts Number	Key No.	Parts Number	Key No.	Parts Number	Key No.
11041-06168	1 - 8	20930-21040	2 - 4	71906-26371	2 - 53
20930-11060	1 - 11	11270-04121	2 - 5	01215-05128	2 - 54
21976-51210	1 - 12	20930-21060	2 - 6	17901-06095	2 - 55
01600-10251	1 - 13	11041-06168	2 - 7	21850-27220	2 - 56
01611-10200	1 - 14	17003-33003	2 - 8	01213-03120	2 - 57
21990-24220	1 - 15	01000-12221	2 - 9	11526-03112	2 - 58
11270-05163	1 - 16	01600-12301	2 - 10	19402-00256	2 - 59
20930-12010	1 - 17	01611-12250	2 - 11	12400-12060	2 - 60
21962-13130	1 - 19	20930-21070	2 - 12	71906-27010	2 - 61
11526-08112	1 - 20	20929-21070	2 - 13	71906-27040	2 - 62
01013-08300	1 - 21	01013-10250	2 - 14	71906-29010	2 - 63
20929-13010	1 - 22	20930-21080	2 - 15	11210-10250	2 - 64
20936-13310	1 - 23	71915-23012	2 - 16	71906-91311	2 - 65
20903-13240	1 - 24	01013-08200	2 - 17	71915-91310	2 - 66
01013-08200	1 - 25	71915-23330	2 - 18	71915-91320	2 - 67
20930-14021	1 - 26	71915-23350	2 - 19	19430-00000	2 - 68
21783-14420	1 - 27	01017-06300	2 - 20	19401-00291	2 - 69
21783-14430	1 - 28	11526-06112	2 - 21	19401-00292	2 - 70
21783-14440	1 - 29	21940-22270	2 - 22	19402-00187	2 - 71
21783-14460	1 - 30	01612-00800	2 - 23	19402-00193	2 - 72
21944-14061	1 - 31	21940-22250	2 - 24	19402-00194	2 - 73
20929-14050	1 - 32	17901-06085	2 - 25	19402-00195	2 - 74
20929-14070	1 - 33	01017-06250	2 - 26	19402-00201	2 - 75
01215-05128	1 - 34	71915-23130	2 - 27	19402-00199	2 - 76
71915-14030	1 - 35	71915-24010	2 - 28	19402-00200	2 - 77
71906-14050	1 - 36	71915-24140	2 - 29	19402-00166	2 - 78
20930-15020	1 - 38	20930-24060	2 - 30	19401-00282	2 - 79
11070-08150	1 - 39	71915-24080	2 - 31	19401-00206	2 - 80
01612-00800	1 - 40	71915-25310	2 - 32	19406-00087	2 - 81
20930-15050	1 - 43	21995-25210	2 - 33	19407-00063	2 - 82
20930-15060	1 - 44	21990-27240	2 - 34	20929-14070	2 - 83
21945-15120	1 - 48	01201-04100	2 - 35	19420-00095	2 - 84
01013-08350	1 - 53	71906-25040	2 - 36	01215-05168	2 - 85
20930-16030	1 - 54	71915-24310	2 - 37	19401-00293	2 - 86
01011-08160	1 - 55	19406-00085	2 - 38	71915-83350	2 - 87
01000-12221	1 - 60	71915-25331	2 - 39	71906-26400	2 - 88
01600-12301	1 - 61	19406-00086	2 - 40	19401-00218	2 - 89
20930-22020	1 - 66	19404-00049	2 - 41	71906-25150	2 - 90
20950-22310	1 - 68	71915-26010	2 - 42	71906-25160	2 - 91
21006-22050	1 - 72	71915-26310	2 - 43	71906-25170	2 - 92
20930-22040	1 - 73	17500-10002	2 - 44	71906-25180	2 - 93
21940-14170	1 - 74	20925-26301	2 - 45	20923-25510	2 - 94
01500-08061	1 - 75	12400-10050	2 - 46	71906-25100	2 - 95
01600-08201	1 - 76	20925-26411	2 - 47	71906-25130	2 - 96
71915-23370	1 - 78	20923-26212	2 - 48	11044-08200	2 - 97
28800-05110	1 - 79	15401-10013	2 - 49	01017-06160	2 - 98
71906-21015	2 - 1	71915-26050	2 - 50	20929-31011	3 - 1
11270-05123	2 - 2	71915-26320	2 - 51	01000-10259	3 - 2
21990-24220	2 - 3	71915-26330	2 - 52	01600-10251	3 - 3

Index

Parts Number	Key No.	Parts Number	Key No.	Parts Number	Key No.
20930-31012	3 - 4	05285-10500	4 - 14	71915-83340	4 - 64
11070-12200	3 - 5	21006-78030	4 - 15	05280-53405	4 - 65
01600-12301	3 - 6	71906-78320	4 - 16	71915-84320	4 - 66
01611-12250	3 - 7	20929-81010	4 - 17	71915-84330	4 - 67
20930-31030	3 - 8	20929-81030	4 - 18	71915-84350	4 - 68
01013-10300	3 - 9	21780-75120	4 - 19	71915-84360	4 - 69
20930-51321	3 - 10	21614-82210	4 - 20	11526-04102	4 - 70
12900-63070	3 - 11	14320-83500	4 - 22	15240-12201	4 - 71
02430-34150	3 - 12	14320-83501	4 - 23	01600-04101	4 - 72
01002-10304	3 - 13	14320-85500	4 - 24	20970-98380	4 - 73
17323-97000	3 - 14	14320-89500	4 - 25	22851-84010	4 - 74
01013-08250	3 - 15	14320-85000	4 - 26	19401-00376	4 - 75
71915-52311	3 - 16	14320-84000	4 - 27	01213-05200	5 - 2
71917-52340	3 - 17	14320-87400	4 - 28	01213-05160	5 - 4
01000-05451	3 - 18	14320-85100	4 - 29	05909-00070	5 - 6
01612-00500	3 - 19	71906-82330	4 - 30	21966-28110	5 - 7
01600-05131	3 - 20	11041-06168	4 - 31	21966-28120	5 - 8
11527-12112	3 - 21	14320-82800	4 - 33	21966-28130	5 - 9
14636-10514	3 - 22	14320-87100	4 - 34	20930-28020	5 - 10
71915-71320	3 - 23	14320-89000	4 - 35	21995-28120	5 - 11
20930-71031	3 - 24	71906-82340	4 - 36	01520-10822	5 - 12
20930-71041	3 - 25	05260-13100	4 - 37	14350-89400	5 - 13
01213-03120	3 - 26	01210-04800	4 - 38	14350-82501	5 - 14
11526-03112	3 - 27	71917-82320	4 - 21	14350-71200	5 - 15
14606-10514	3 - 28	71917-82330	4 - 39	20930-61010	5 - 16
21780-34140	3 - 29	20930-82060	4 - 40	11526-06112	5 - 17
01213-06160	3 - 30	71906-82360	4 - 32	20930-61050	5 - 18
01213-06200	3 - 31	20930-82060	4 - 40	01612-00800	5 - 19
14875-61000	3 - 32	71906-82320	4 - 41	12400-16080	5 - 20
14875-61002	3 - 33	71906-83360	4 - 42	14636-80004	5 - 21
01213-06550	3 - 34	01211-04080	4 - 43	71906-71330	5 - 22
14320-61800	3 - 35	15250-20600	4 - 44	21944-71040	5 - 23
01211-06250	3 - 36	05201-33300	4 - 45	71906-71310	5 - 24
71906-71341	3 - 37	71915-83310	4 - 46	01213-06308	5 - 25
21995-72100	3 - 38	01213-04200	4 - 47	01213-06120	5 - 26
20930-72010	3 - 39	05201-37201	4 - 48	21780-72120	5 - 27
71915-23062	4 - 1	71915-83320	4 - 49	01013-08200	5 - 28
71917-23320	4 - 2	15201-00081	4 - 50	20930-72010	5 - 29
01213-06160	4 - 3	01015-05080	4 - 51	01211-06250	5 - 30
20930-75041	4 - 4	01600-10256	4 - 52	14875-61000	5 - 31
01210-04140	4 - 5	01500-10086	4 - 53	11041-06168	5 - 32
71915-75020	4 - 6	01520-01009	4 - 54	71906-72110	5 - 33
71906-75330	4 - 7	14320-85700	4 - 55	01213-04160	5 - 34
11526-05112	4 - 8	01201-04100	4 - 56	27720-61500	5 - 35
71230-73310	4 - 9	01213-04250	4 - 57	01213-04120	5 - 36
21974-12330	4 - 10	05201-23101	4 - 60	71906-72320	5 - 37
20930-77010	4 - 11	05201-22111	4 - 61	20930-74010	5 - 38
15230-29001	4 - 12	71915-83330	4 - 62	20929-74020	5 - 39
71915-78010	4 - 13	20920-96310	4 - 63	20929-74030	5 - 40

Index

Parts Number	Key No.	Parts Number	Key No.	Parts Number	Key No.
71906-74320	5 - 41				
20929-74051	5 - 42				
20930-74031	5 - 43				
15401-50000	5 - 44				
01013-06450	5 - 45				
71915-74310	5 - 46				
71915-75011	5 - 47				
01017-05250	5 - 48				
71906-75310	5 - 49				
14600-25006	5 - 50				
14600-15008	5 - 51				
01213-04200	5 - 52				
21945-78050	5 - 53				
01213-06160	5 - 54				
01213-06200	5 - 55				
15241-19401	5 - 56				
11526-05112	5 - 57				
71915-14060	5 - 58				
71906-14080	5 - 59				
21760-81181	5 - 60				
20930-88010	5 - 61				
11200-04080	5 - 62				
71915-78320	5 - 63				
71920-86310	5 - 64				

YAMABIKO CORPORATION

7-2 SUEHIROCHO 1-CHOME, OHME, TOKYO 198-8760, JAPAN
PHONE: 81-428-32-6118. FAX: 81-428-32-6145.

shindaiwa