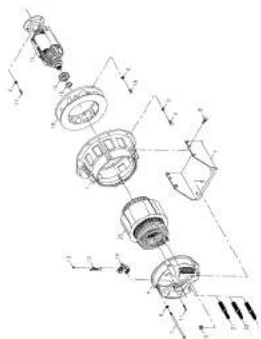


DGW201M-220A

Parts manual



shindaiwa

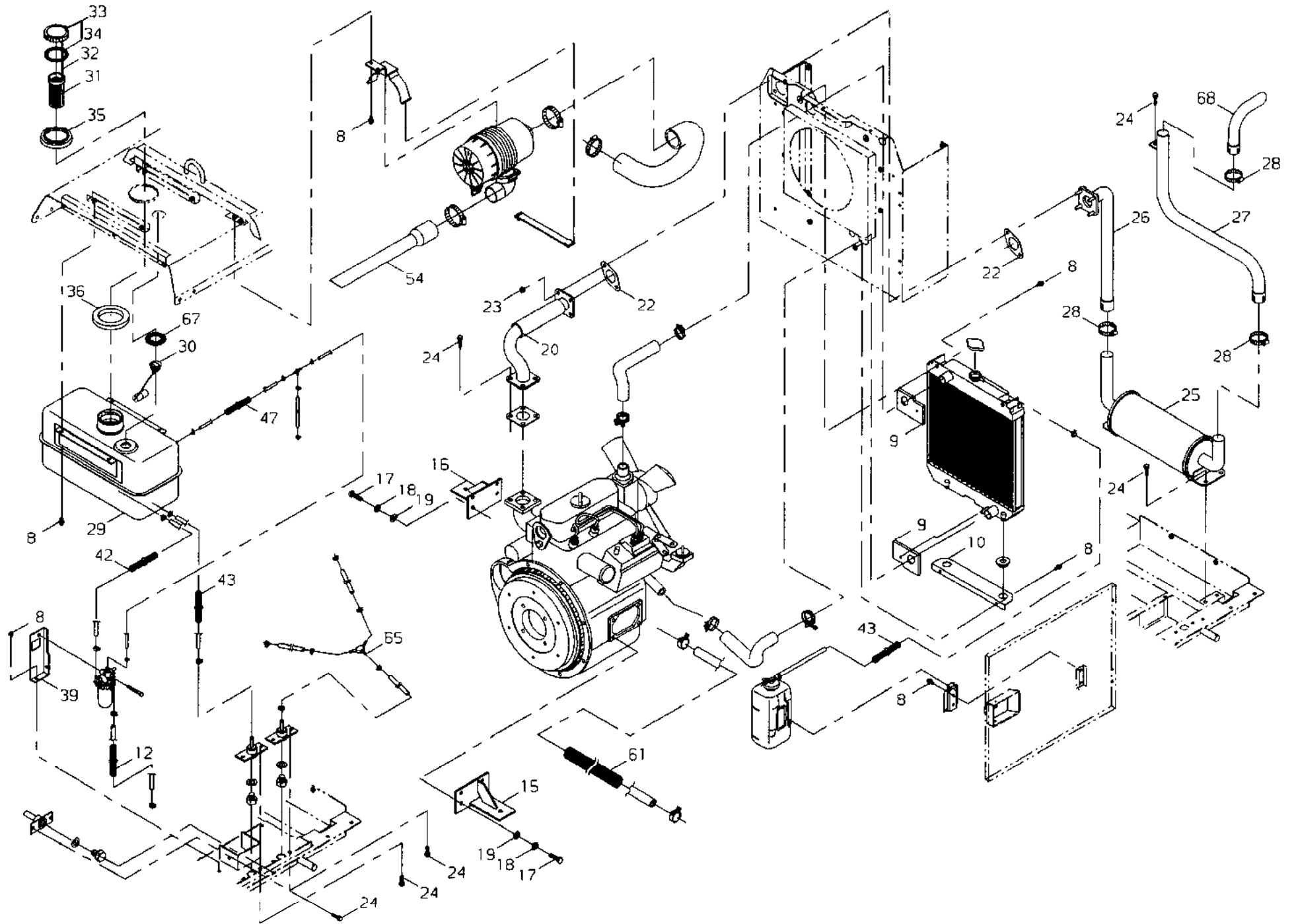


Parts List

DGW201M-220A

Ref. 1

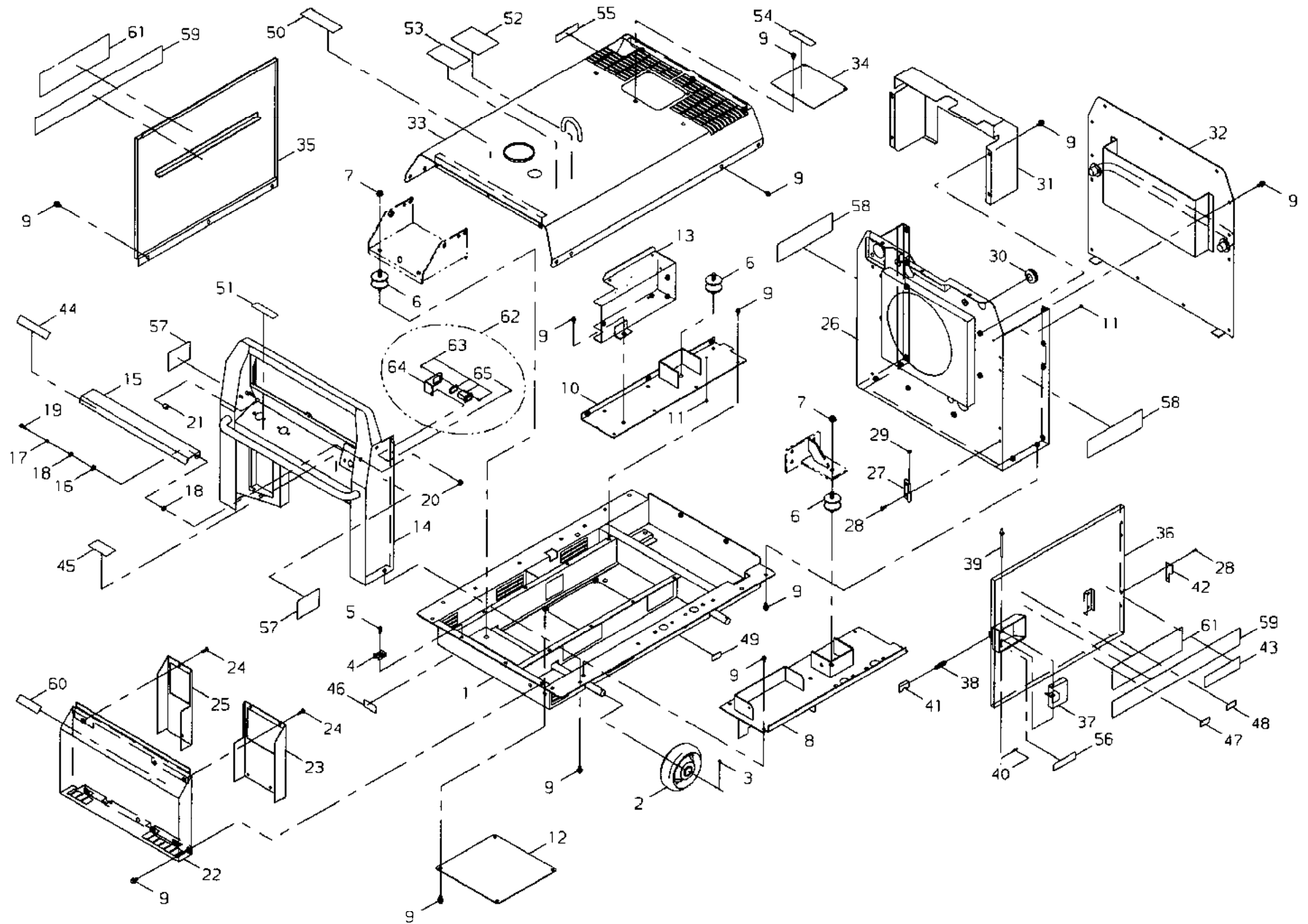
ENGINE: Z482-EKB-DAIWA-1 (Kubota)



Ref. No	Part No.	Part Name	Q'ty	Remarks, Serial No.
1- 8	11041-06168	BOLT FT SW	14	
9	21945-11090	SPONGE	2	
10	21945-11110	RADIATOR STAY	1	
12	21944-11110	TUBE	1	
15	21945-11150	ENGINE STAY RIGHT	1	
16	21945-11160	ENGINE STAY LEFT	1	
17	21976-51210	BOLT	8	
18	01600-10251	SPRING WASHER	8	
19	01611-10200	WASHER	8	
20	21945-12010	FLEXIBLE TUBE	1	
22	21962-13130	GASKET	2	
23	11526-08112	FLANGE NUT	4	
24	01013-08200	BOLT SPW	15	
25	21945-13011	MUFFLER	1	
26	21945-13020	INLET PIPE	1	
27	21945-13032	EXHAUST PIPE	1	
28	21945-13040	CLAMP	3	
29	21944-14021	FUEL TANK	1	
30	21783-14410	FUEL GAUGE	1	
31	21944-14040	STRAINER	1	
32	21783-14430	CHAIN	1	
33	21783-14440	TANK CAP	1	
34	21783-14460	PACKING	1	
35	21940-14170	TANK BUSH	1	
36	21944-14061	SHEET	1	
39	21945-15030	STRAINER STAY	1	
42	21945-15060	TUBE	1	
43	21945-15070	TUBE	2	
47	21945-15120	TUBE	1	
54	21976-16140	AIR HOUSE B	1	
61	21945-22050	TUBE	1	
65	21006-22050	JOINT	1	
67	21944-25120	WINDOW BUSH	1	
68	28800-04110	TAIL PIPE	1	

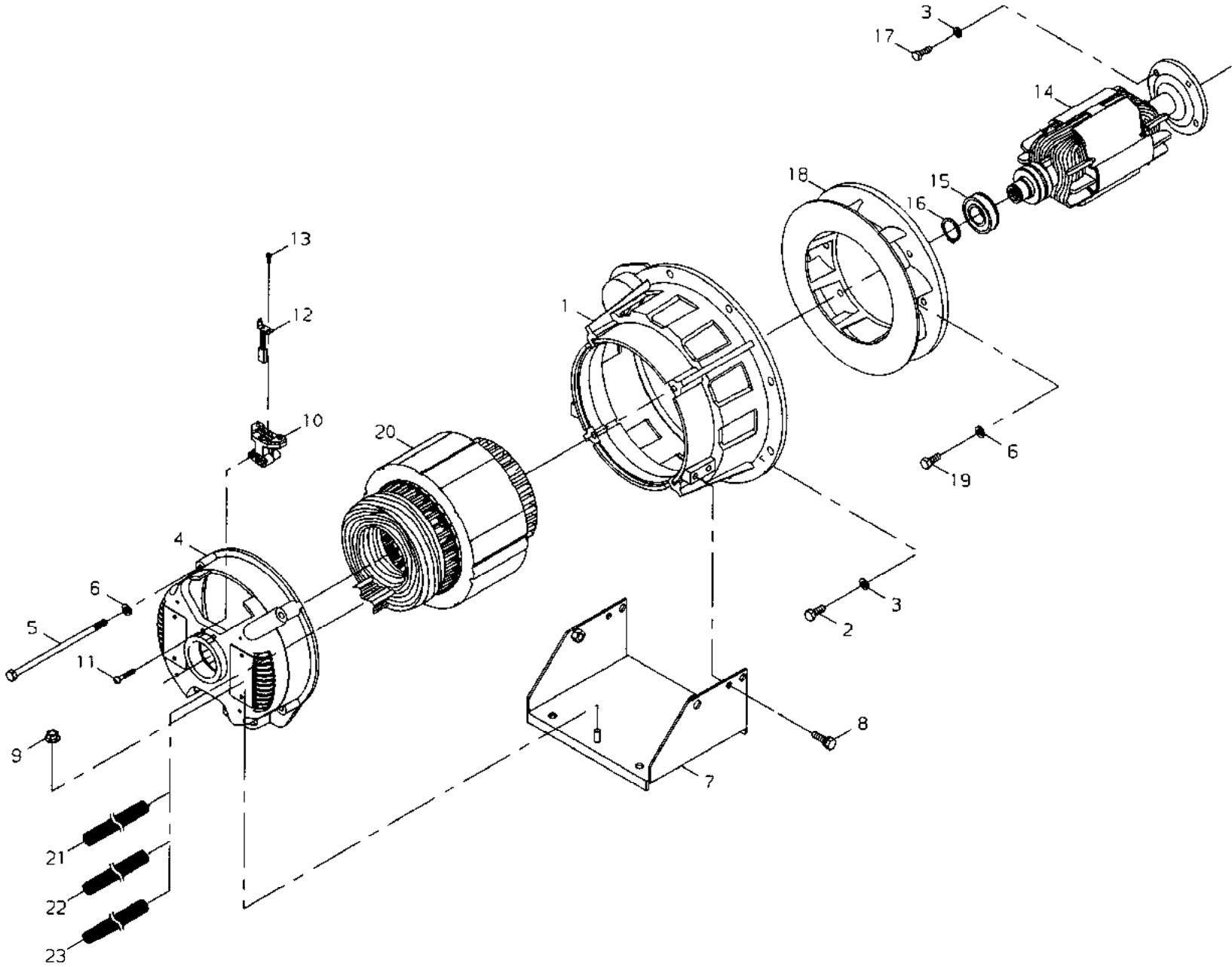
DGW201M-220A

Ref.2



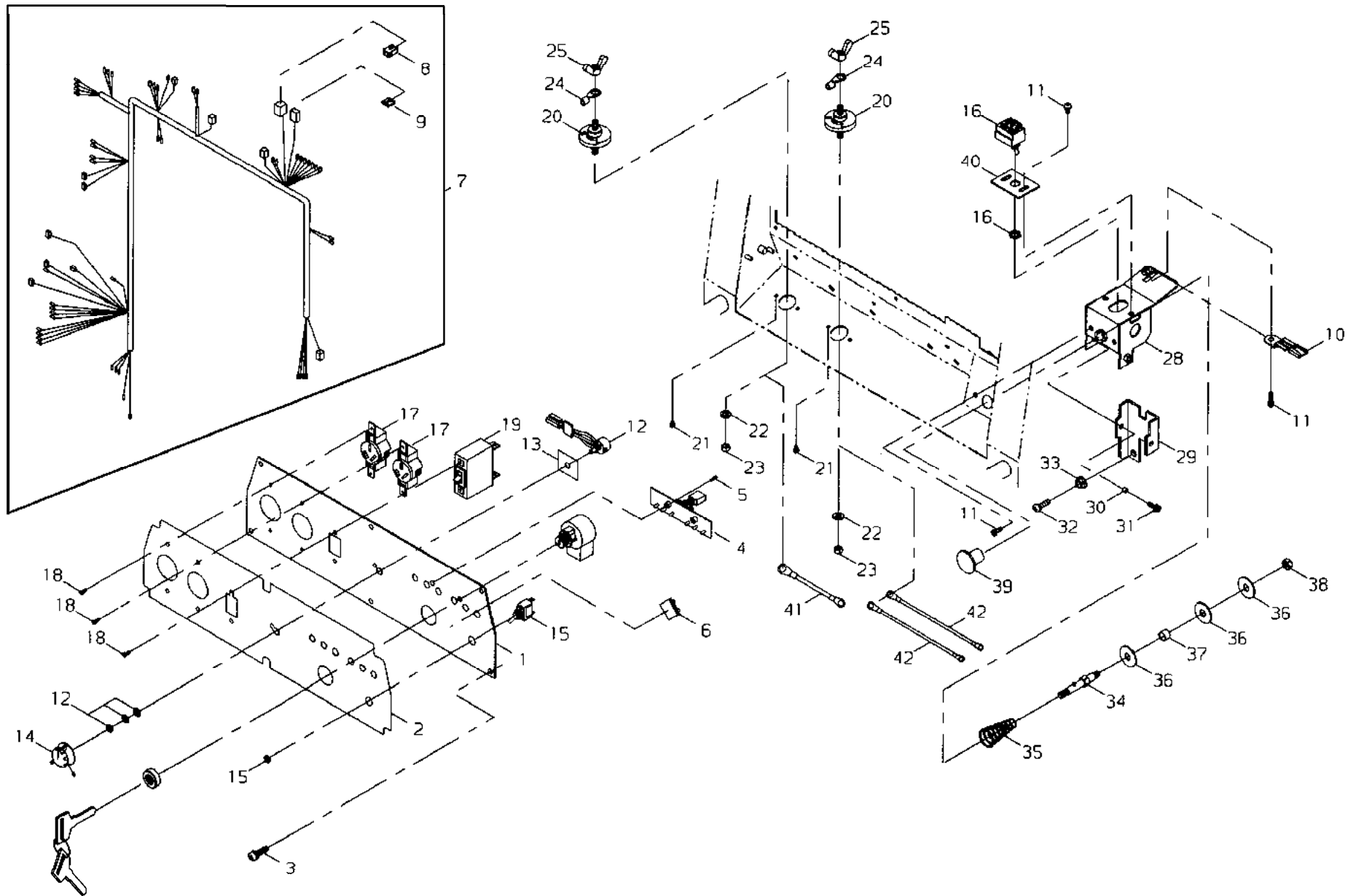
Ref. No	Part No.	Part Name	Q'ty	Remarks, Serial No.
2-	1 21945-21011	BED	1	
	2 16011-10023	CASTER	4	
	3 02421-50300	PIN	4	
	4 21945-21080	TIE MOUNT	2	
	5 01210-06120	SCREW	2	
	6 17005-22007	AV RUBBER	4	
	7 11527-10112	FLANGE NUT	4	
	8 21945-21090	DUCT RIGHT	1	
	9 11041-06168	BOLT FT SW	64	
	10 21945-21150	DUCT LEFT	1	
	11 27731-21020	BAND STOPPER	2	
	12 21944-21350	OIL PAN COVER	1	
	13 21945-21181	CONTROL BOX	1	
	14 21945-23010	FRONT COVER	1	
	15 21945-23230	TERMINAL COVER	1	
	16 21940-22250	BUSH RUBBER	1	
	17 17901-06085	COLLAR	1	
	18 01611-08160	WASHER	2	
	19 01017-06200	BOLT SW	1	
	20 11526-06112	FLANGE NUT	1	
	21 21940-22270	RUBBER PIPE	1	
	22 21945-23110	FRONT PANEL	1	
	23 21945-23160	FRONT DUCT RIGHT	1	
	24 01215-05128	SCREW TRUSS	6	
	25 21945-23210	FRONT DUCT LEFT	1	
	26 21945-24011	REAR COVER	1	
	27 21944-24160	HINGE	2	
	28 11271-05143	SCREW TAPPING	8	
	29 21940-22230	COLLAR	2	
	30 15250-90610	GROMMET	1	
	31 21945-24090	BAFFLE	1	
	32 21945-24140	REAR PANEL	1	
	33 21945-25010	TOP COVER	1	
	34 21944-25140	TOP PLATE	1	
	35 21945-26010	SIDE COVER	1	
	36 21945-26050	SIDE DOOR	1	
	37 21616-23210	DOOR HANDLE	1	
	38 17500-10002	COIL SPRING	1	

DGW201M-220A
Ref.3



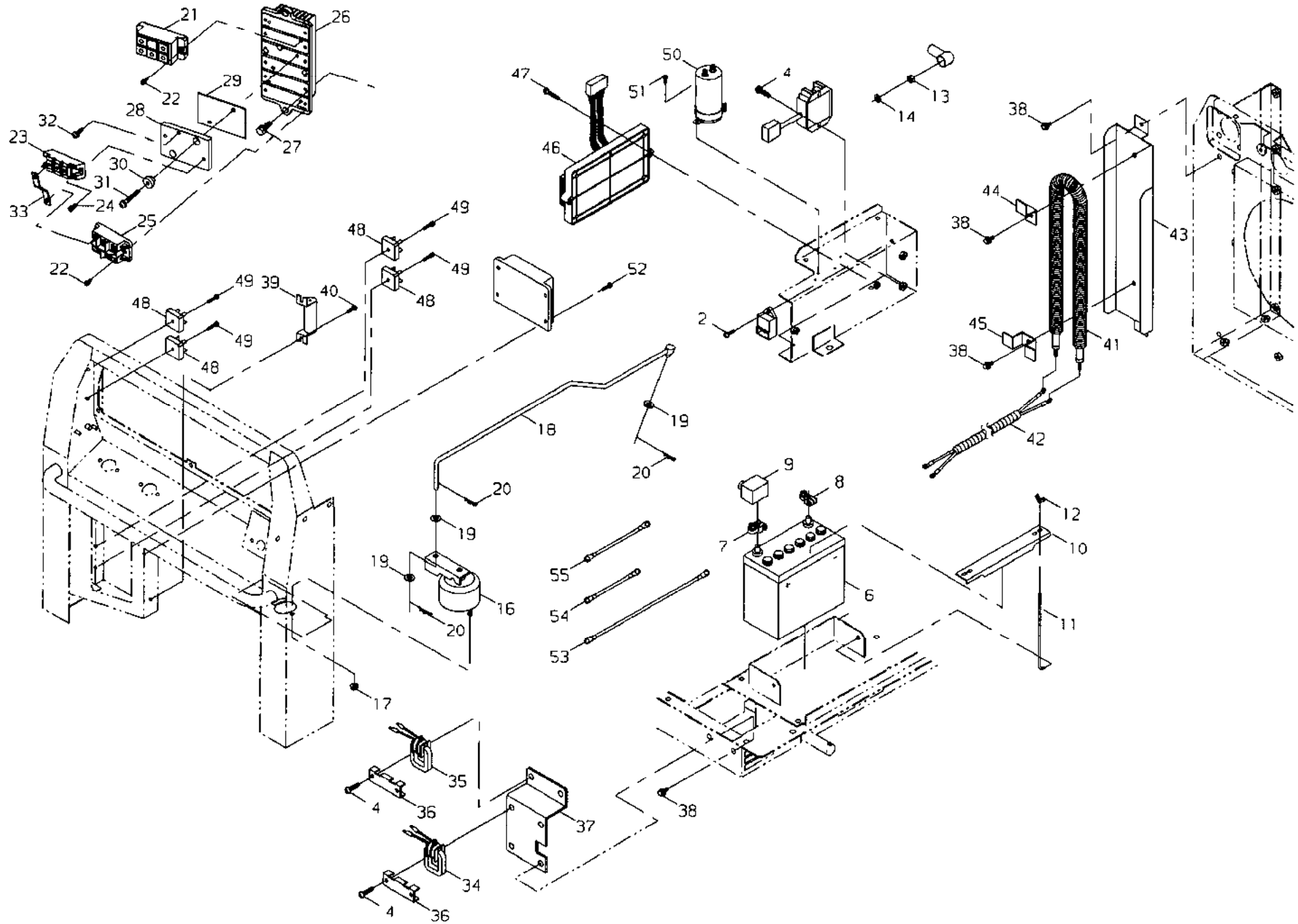
DGW201M-220A

Ref.4



Ref. No	Part No.	Part Name	Q'ty	Remarks, Serial No.
4- 1	71908-23310	CONTROL PANEL	1	
2	71908-23330	• LABEL CONTROL	1	
3	01213-06160	SCREW SW	6	
4	21945-75010	PRINT CIRCUIT	1	
5	01210-04140	SCREW	2	
6	21995-81220	TIE MOUNT	1	
7	71908-78310	WIRING HARNESS ASSY	1	
8	05285-10400	• FUSE	1	
9	21001-78130	• FUSE	1	
10	21945-78050	FUSE STAY	1	
11	01213-05100	SCREW SPW	5	
12	20929-81010	VOLUM COMP	1	
13	20929-81030	INS PAPER	1	
14	21780-75120	DIAL	1	
15	05260-13100	TOGGLE SWITCH	1	
16	05260-36200	TOGGLE SWITCH	1	
17	05201-32200	PLUG SOCKET	2	
18	01211-04063	SCREW SW	6	
19	05281-03305	CIRCUIT PROTECTOR	1	
20	15201-00081	TERMINAL REST	2	
21	01015-05080	BOLT SW	4	
22	01600-10256	SPRING WASHER	2	
23	01500-10086	NUT	2	
24	04100-76001	TERMINAL	2	
25	01520-01009	WING NUT	2	
28	21945-88011	BRACKET	1	
29	21945-88030	THROTTLE LEVER	1	
30	17901-05075	COLLAR	2	
31	01013-05160	BOLT SPW	2	
32	01210-06400	SCREW	1	
33	11526-06112	FLANGE NUT	1	
34	21944-88050	SHAFT	1	
35	21944-88081	COIL SPRING	1	
36	23180-61130	SIDE PLATE	3	
37	17901-10090	COLLAR	1	
38	72958-16350	LOCK NUT	1	
39	21940-82120	GRIP	1	
40	21944-88070	SWITCH PLATE	1	

DGW201M-220A
Ref.5



Ref. No	Part No.	Part Name	Q'ty	Remarks, Serial No.
5-	2 01213-05160	SCREW SW	1	
	4 01213-06250	SCREW SW	6	
	6 05909-00060	BATTERY 44B19L	1	
	7 21966-28110	TERMINAL +	1	
	8 21966-28120	TERMINAL -	1	
	9 21966-28130	TERMINAL CAP	1	
	10 21770-28010	BATTERY STAY	1	
	11 21900-29121	BOLT BATTERY	2	
	12 01520-00532	WING NUT	2	
	13 01500-08061	NUT	1	
	14 01600-08201	SPRING WASHER	1	
	16 21945-61010	SOLENOID COMP	1	
	17 11526-06112	FLANGE NUT	2	
	18 21945-61041	ROD	1	
	19 01612-00600	WASHER	3	
	20 12400-12060	SNAP PIN	3	
	21 14605-50008	RECTIFIER	1	
	22 01017-05200	BOLT SW	4	
	23 21945-71010	THYRISTOR COMP	1	
	24 01213-06200	SCREW SW	2	
	25 14606-70043	RECTIFIER	1	
	26 21944-71031	STACK FIN	1	
	27 01013-08200	BOLT SPW	2	
	28 21944-71040	STACK PLATE	1	
	29 21944-71050	SHEET	1	
	30 14875-61000	INS RING	2	
	31 01213-06308	SCREW SPW	2	
	32 01213-06140	SCREW SW	1	
	33 21944-71061	BUS BAR	3	
	34 21780-72120	CT	1	
	35 21995-72100	CT COMP	1	
	36 21793-73100	CORE PLATE COMP	2	
	37 21945-72011	CT STAY	1	
	38 11041-06168	BOLT FT SW	6	
	39 71908-74310	RESISTOR COMP	1	
	40 01213-05100	SCREW SPW	2	
	41 20929-74020	RESISTOR	1	
	42 21944-74020	WIRING HARNESS	1	

ALPHA C SA

Frijol 331, Col. La Nogalera.
Guadalajara, Jalisco C.P. 44470

(33) 1185-1594

alphacmaquinaria.com